

INSTALLATION MANUAL

65170AT

ecotracklight

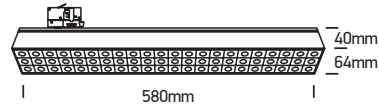


90
CRI

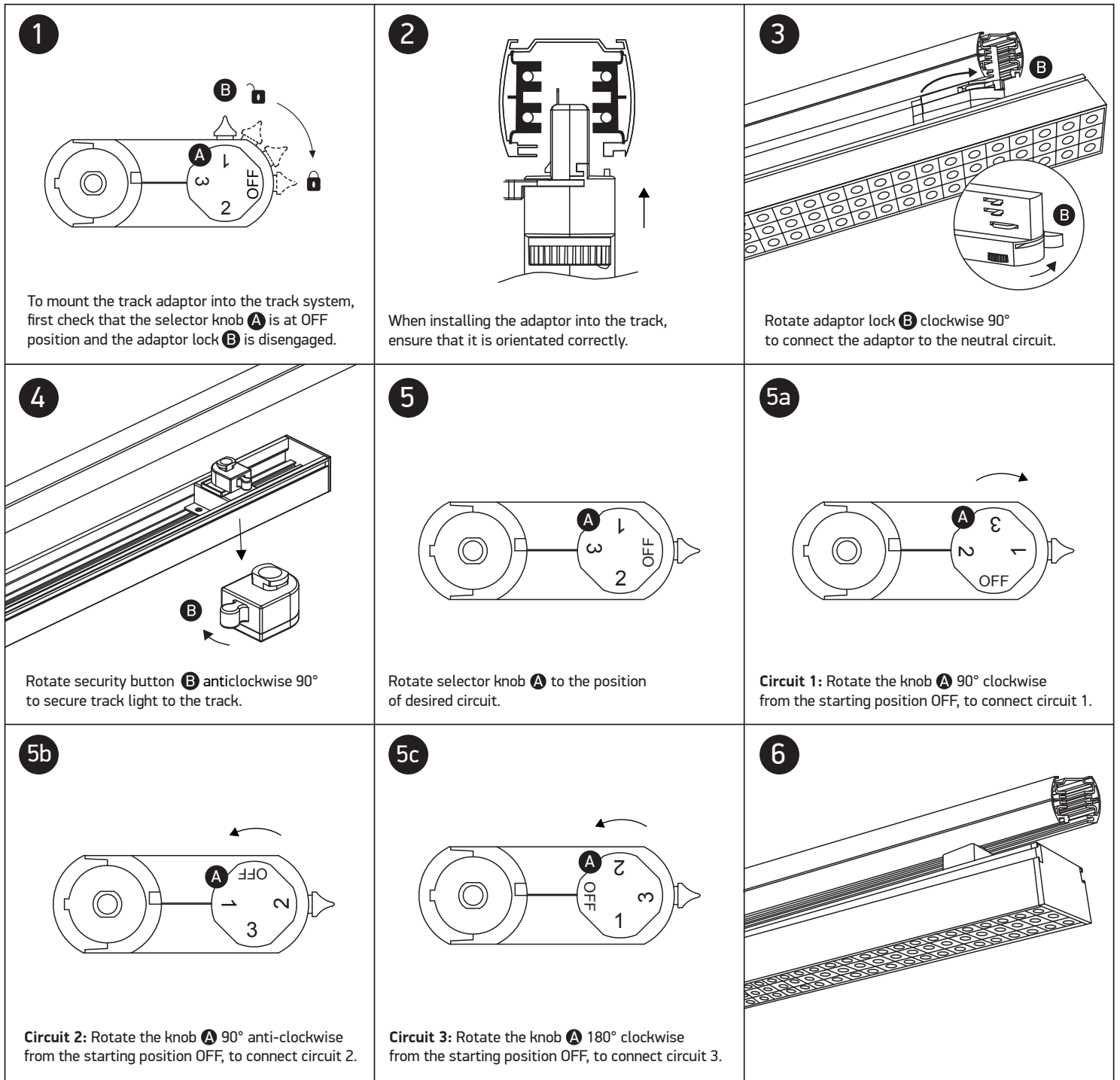


30W | SMD 3030 | 230V | 50/60Hz | IP20 | Aluminium

Complete with 700mA driver.



one
LIGHT



Warnings:

1. Make sure that the product is installed properly before connecting to electricity.
2. Do not cover the fitting.
3. Maintenance and installation should only be carried out by a professional electrician.