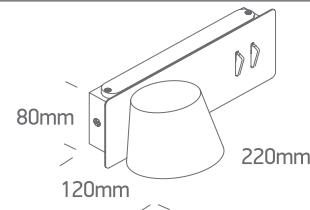


INSTALLATION MANUAL

65147

LED BUILT IN |  |  |  | **80 CRI** |        

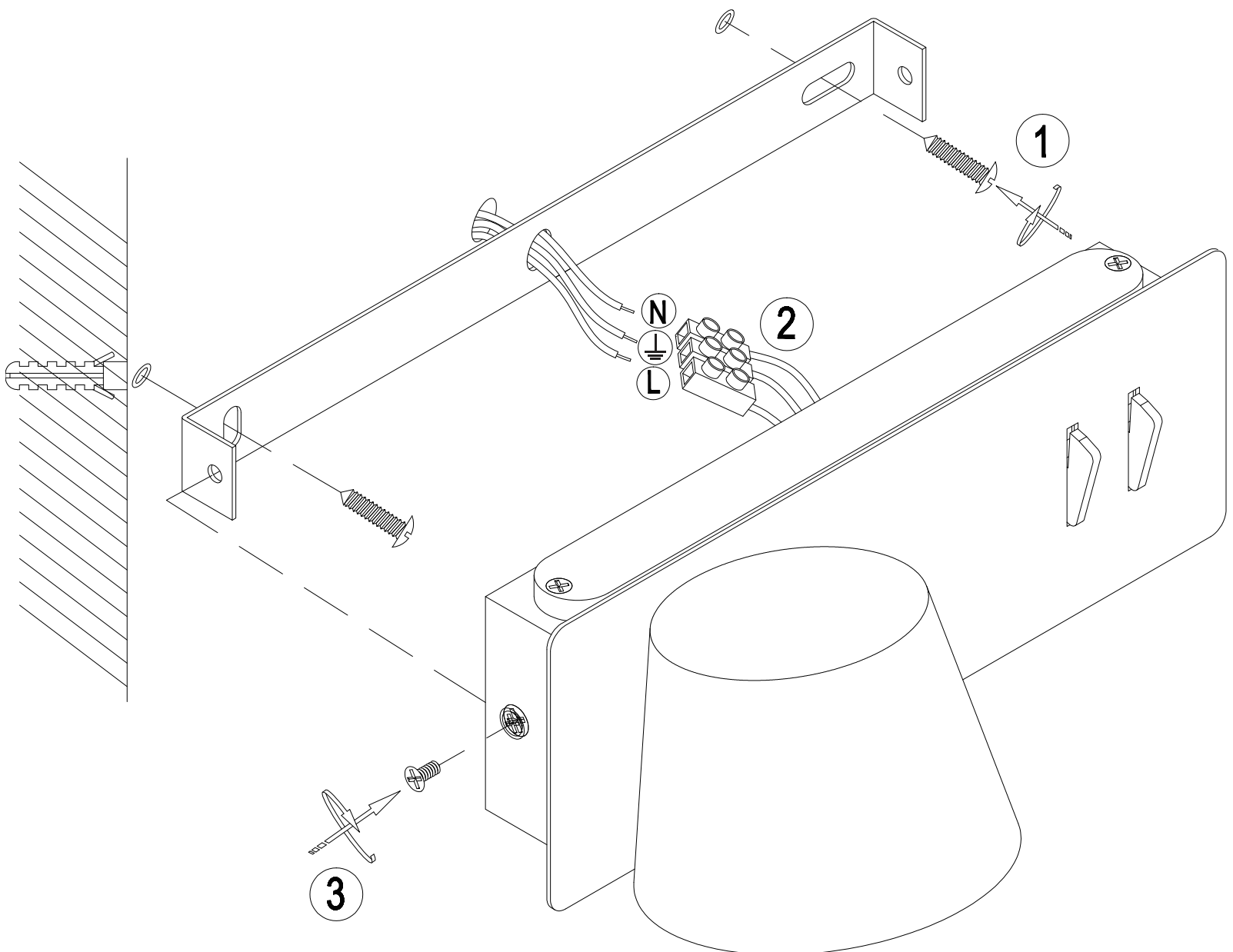
230V | 6W+4W Up Light | SMD 2835 | IP20 | Aluminium + acrylic | Left



one
LIGHT

 |  | **L70B50**
36000 Hrs

Complete with driver 2x 300mA.
With 2x On/Off switches.



Warnings:

1. Make sure that the product is installed properly before connecting to electricity.
2. Do not cover the fitting.
3. Maintenance and installation should only be carried out by a professional electrician.