

INSTALLATION MANUAL

65146A

ecolight



ADJUSTABLE

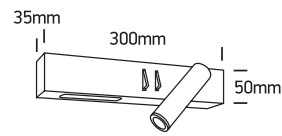


DIMMABLE

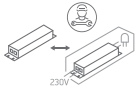
230V | 3W Reading Spot + 6W General lighting | IP20 | Metal + aluminium

Complete with 700mA + 500mA drivers / With 2 x ON/OFF Switches.

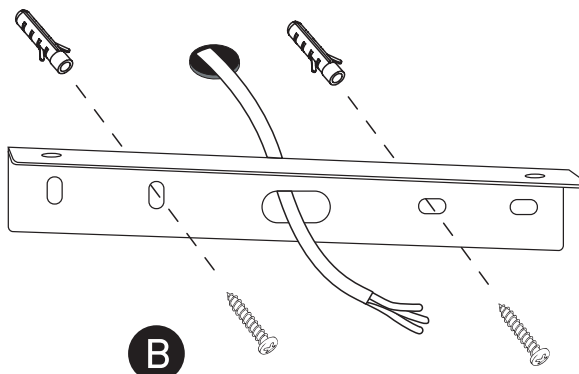
80
CRI



one
LIGHT



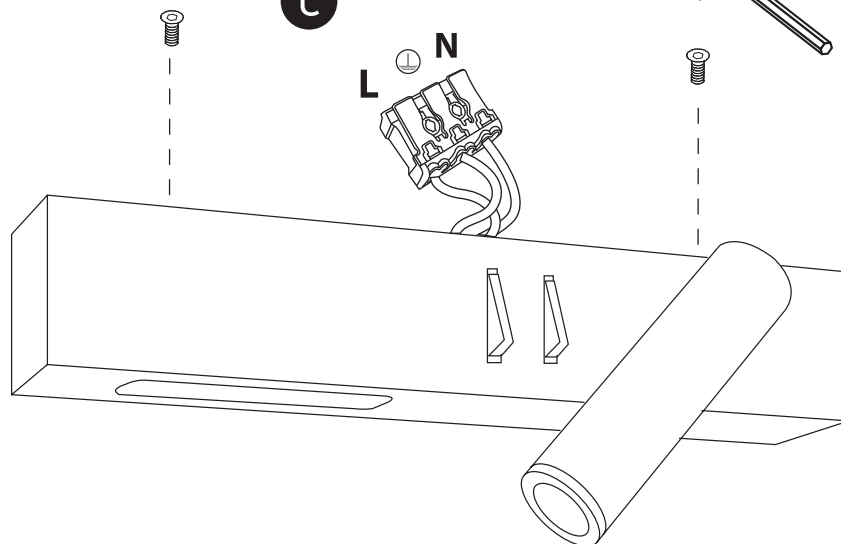
A



B

C

D



Warnings:

1. Make sure that the product is installed properly before connecting to electricity.
2. Do not cover the fitting.
3. Maintenance and installation should only be carried out by a professional electrician.