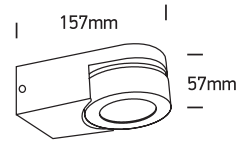


INSTALLATION MANUAL

65110B

ecolight

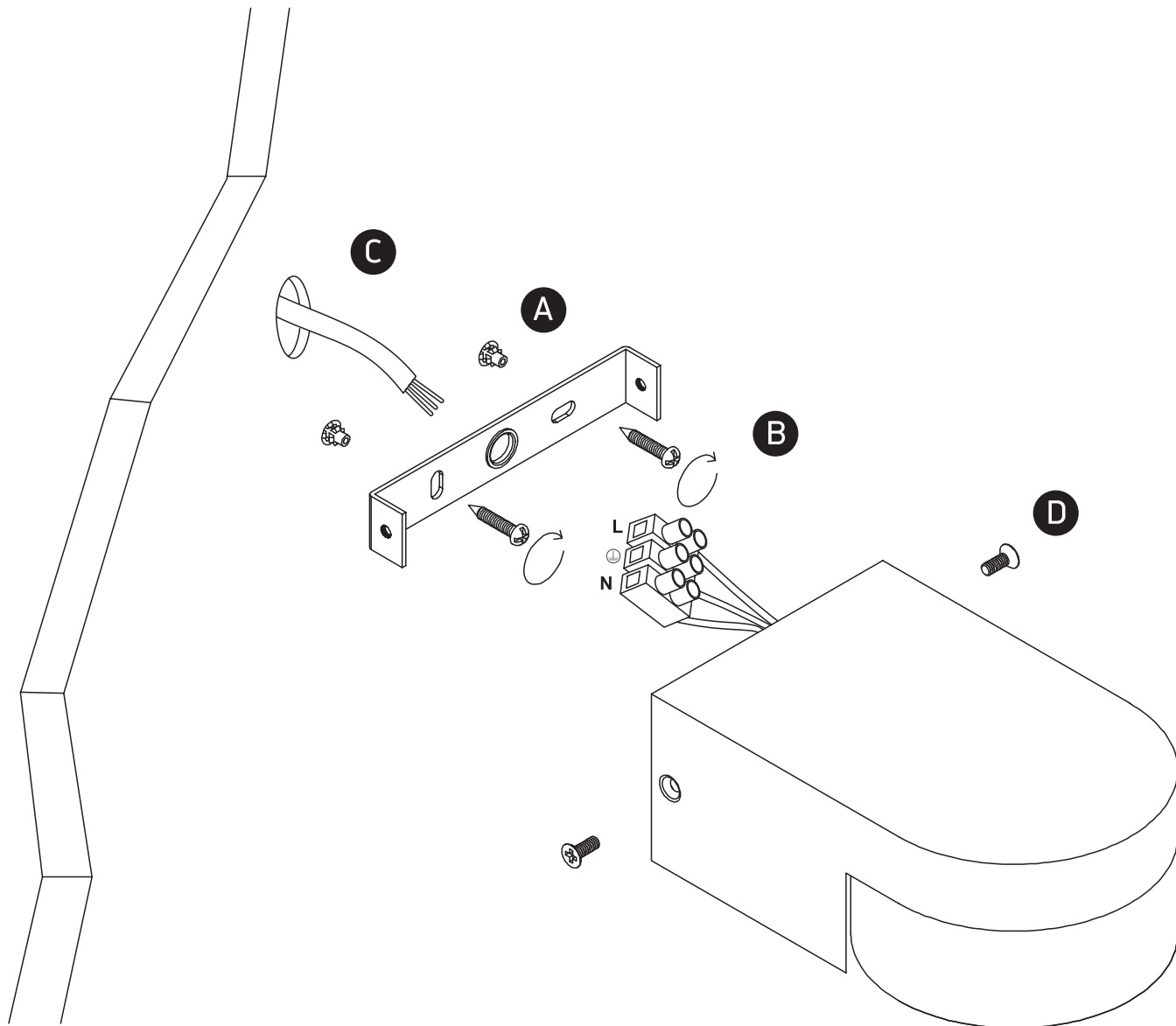


230V | 10W | IP20 | Die cast | Adjustable

Complete with driver

80
CRI

one
LIGHT



Warnings:

1. Make sure that the product is installed properly before connecting to electricity.
2. Do not cover the fitting.
3. Maintenance and installation should only be carried out by a professional electrician.