

INSTALLATION MANUAL

65042T

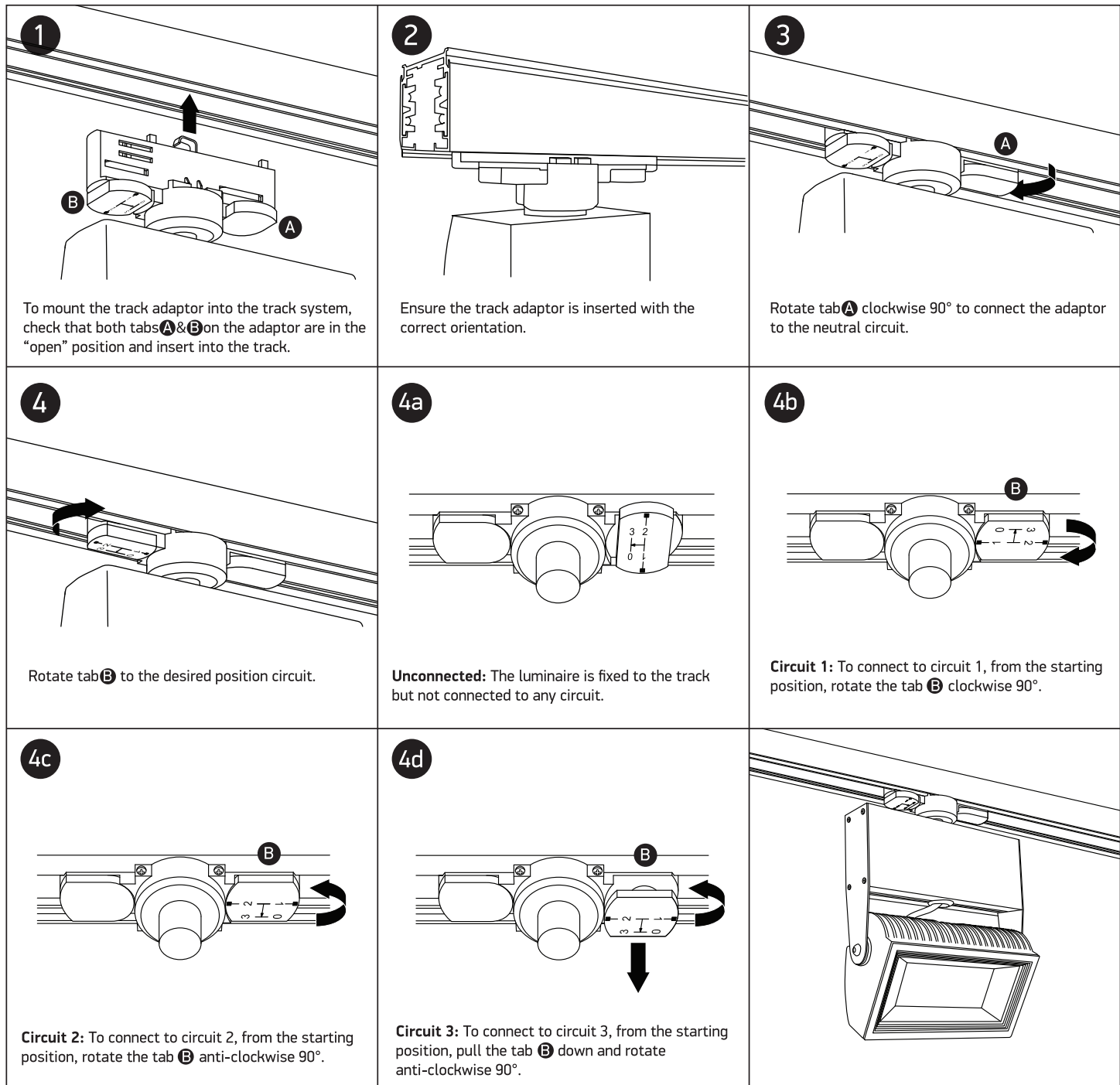
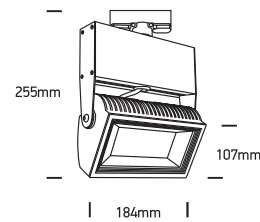
ecotrackspot



80 CRI

42W | SMD 2835 | 100-240V | 50/60Hz | IP20 | Die cast | Adjustable

Complete with driver.



Warnings:

1. Make sure that the product is installed properly before connecting to electricity.
2. Do not cover the fitting.
3. Maintenance and installation should only be carried out by a professional electrician.