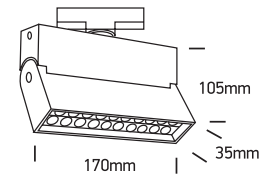


# INSTALLATION MANUAL

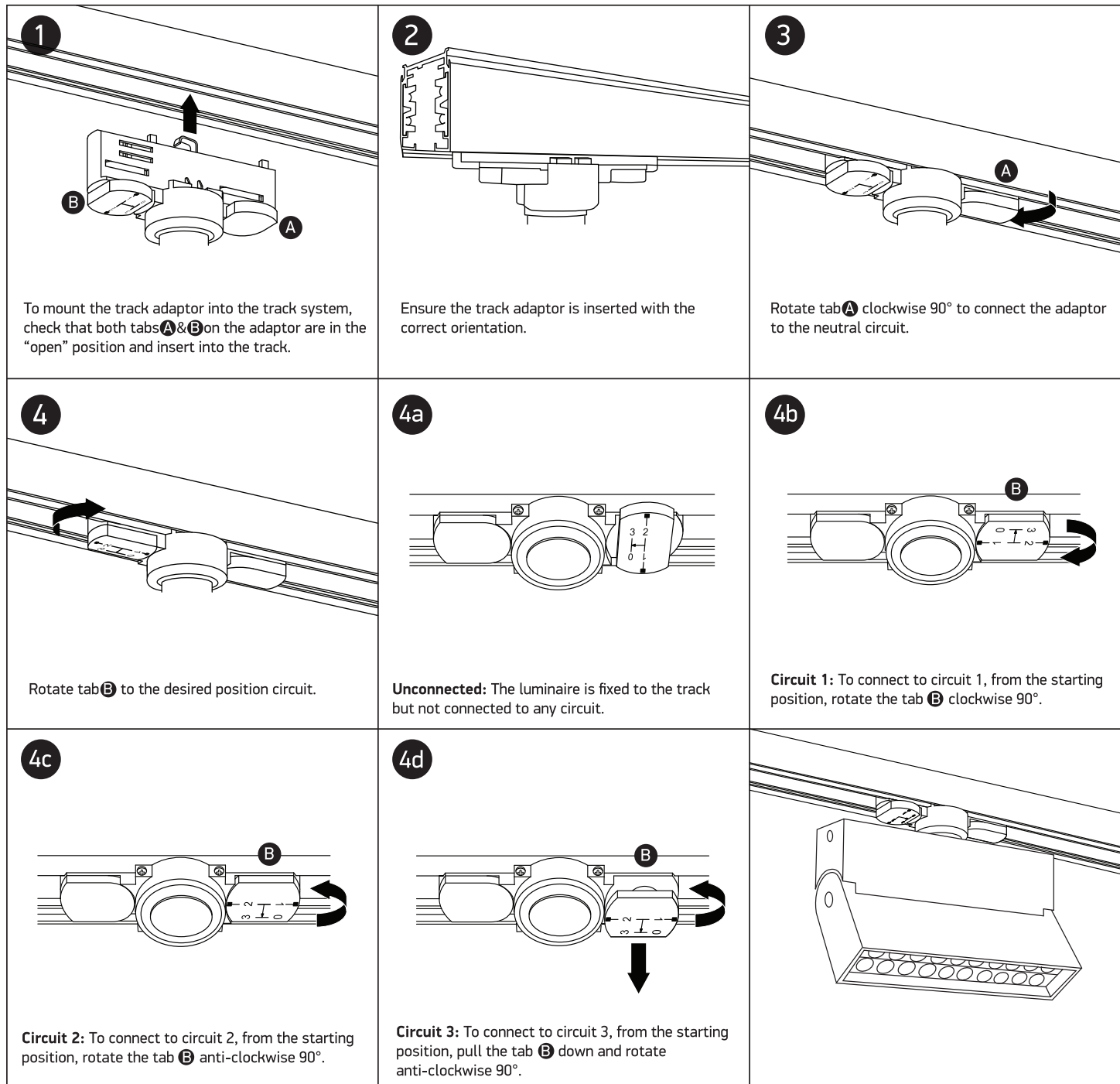
## 65020T

**ecotrackspot**

**80 CRI**

**one**  
LIGHT

20W | 230V | 50/60Hz | IP20 | Die cast | Adjustable

Complete with driver.



### Warnings:

1. Make sure that the product is installed properly before connecting to electricity.
2. Do not cover the fitting.
3. Maintenance and installation should only be carried out by a professional electrician.