

INSTALLATION MANUAL

63108A

ecolight



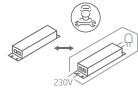
CE

RoHS
COMPLIANT

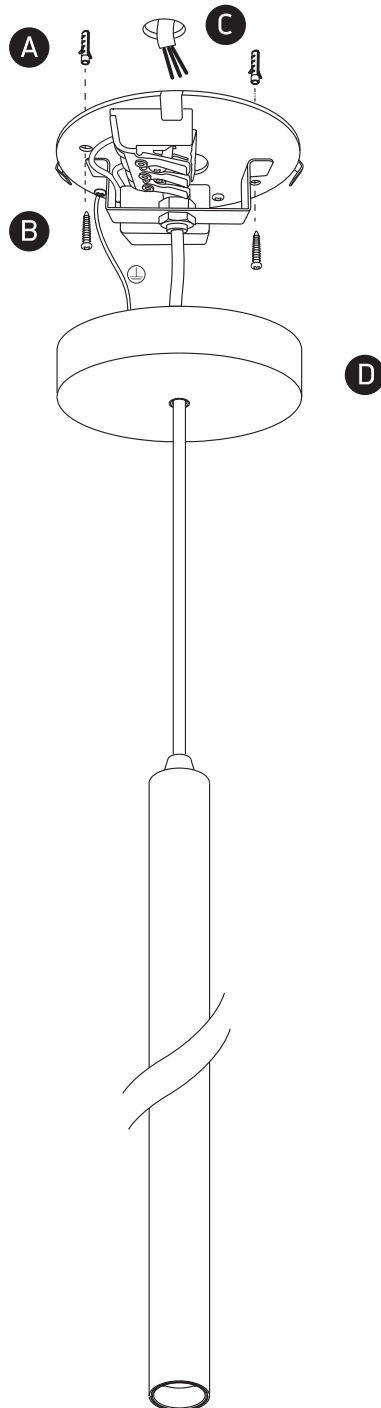
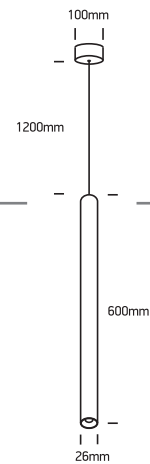


NOT
DIMMABLE

230V | COB LED | 6W | IP20 | Die cast
Complete with 700mA driver.



80
CRI



Warnings:

1. Make sure that the product is installed properly before connecting to electricity.
2. Do not cover the fitting.
3. Maintenance and installation should only be carried out by a professional electrician.