

# INSTALLATION MANUAL

50136P

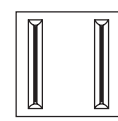
**ecopanel**



UGR19



595mm



595mm

30mm

**one**  
LIGHT

230V | SMD 2835 | 36W | IP40 | Metal

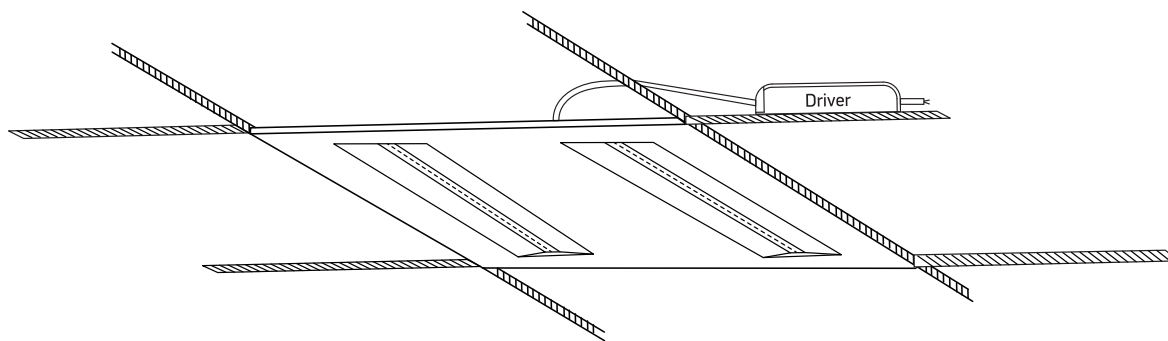
Complete with 900mA driver.  
Optional recessed kit (4pcs).  
Order code 050108A.

80  
CRI



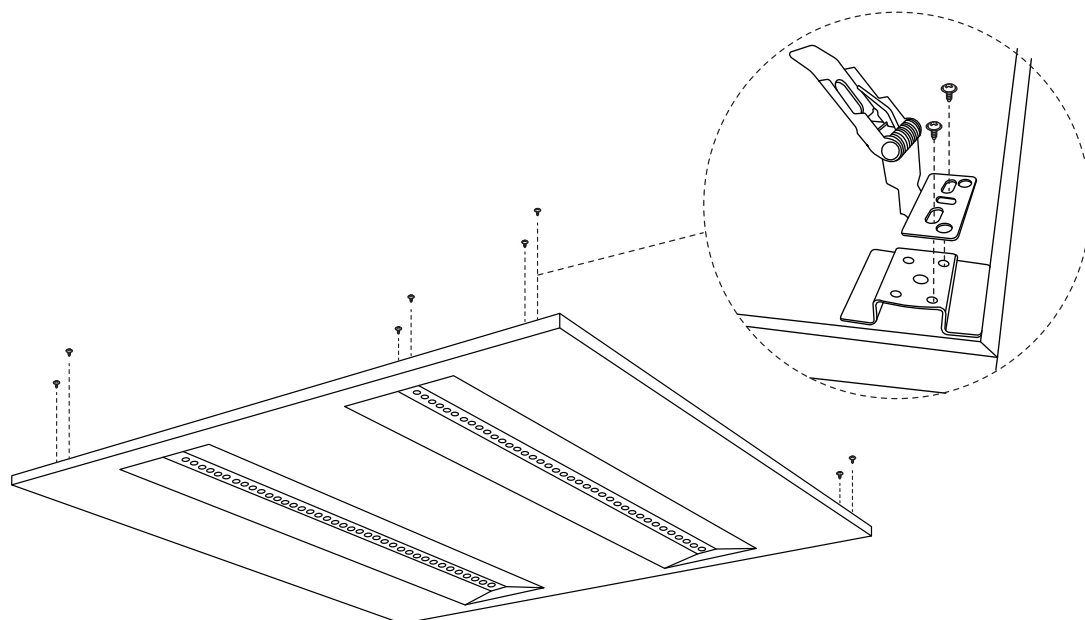
60mm

**A**



Recessed fitting for 600x600mm T-rail false ceilings.

**B**



Ceiling mount suspended applications using optional kit 050108A.

## Warnings:

1. Make sure that the product is installed properly before connecting to electricity.
2. Do not cover the fitting.
3. Maintenance and installation should only be carried out by a professional electrician.