

INSTALLATION MANUAL

62184B

LED
BUILT IN



CE EAC UK CA

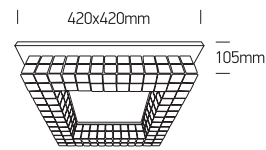
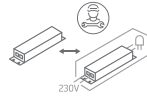
RoHS
COMPLIANT



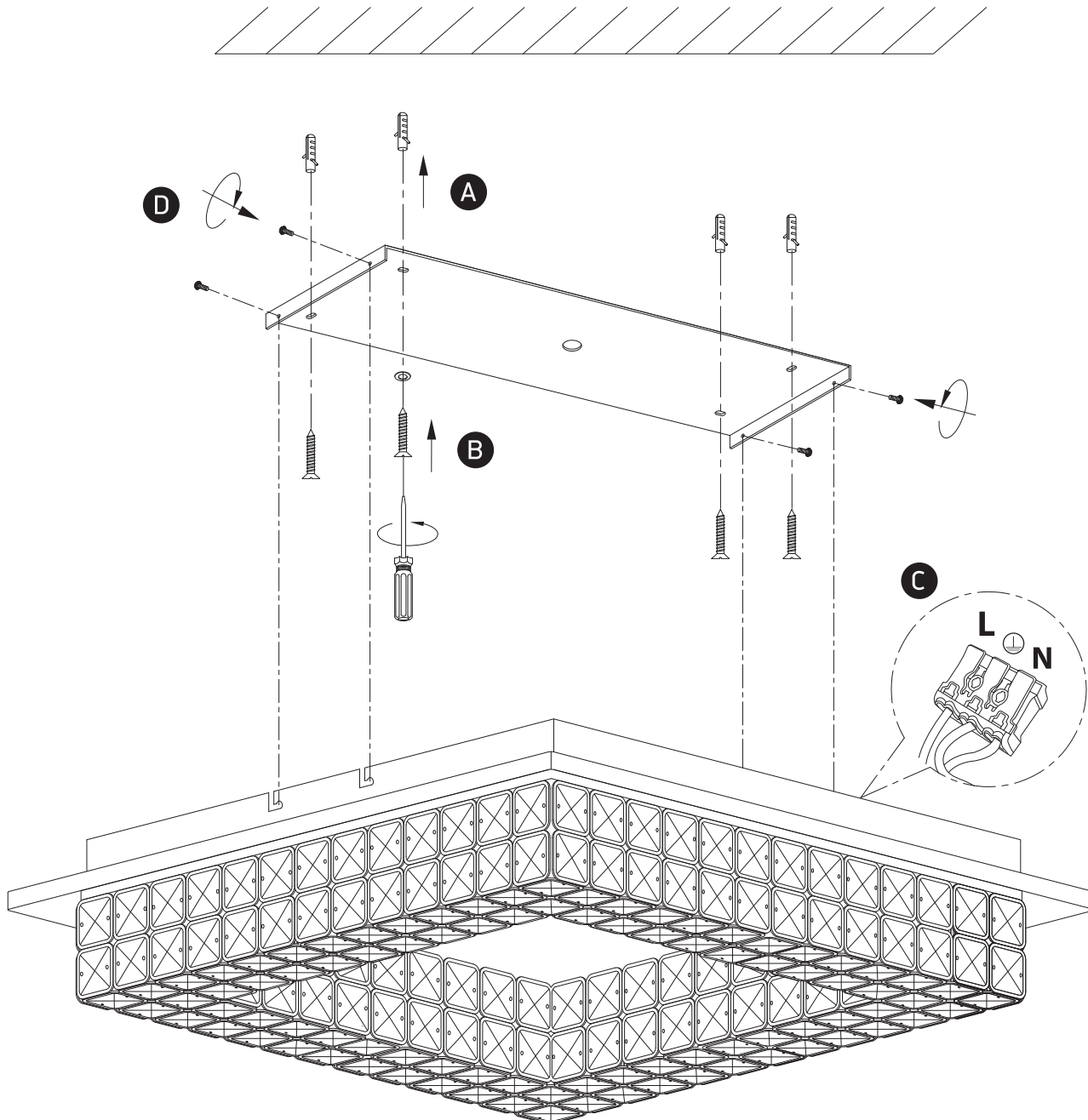
NOT
DIMMABLE

230V | SMD 2835 | 24W | IP20 | Metal + glass
Complete with 300mA driver.

80
CRI



one
LIGHT



Warnings:

1. Make sure that the product is installed properly before connecting to electricity.
2. Do not cover the fitting.
3. Maintenance and installation should only be carried out by a professional electrician.