

INSTALLATION MANUAL

62156C

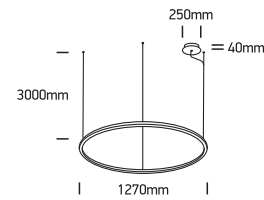
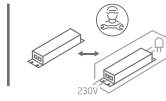
LED
BUILT IN



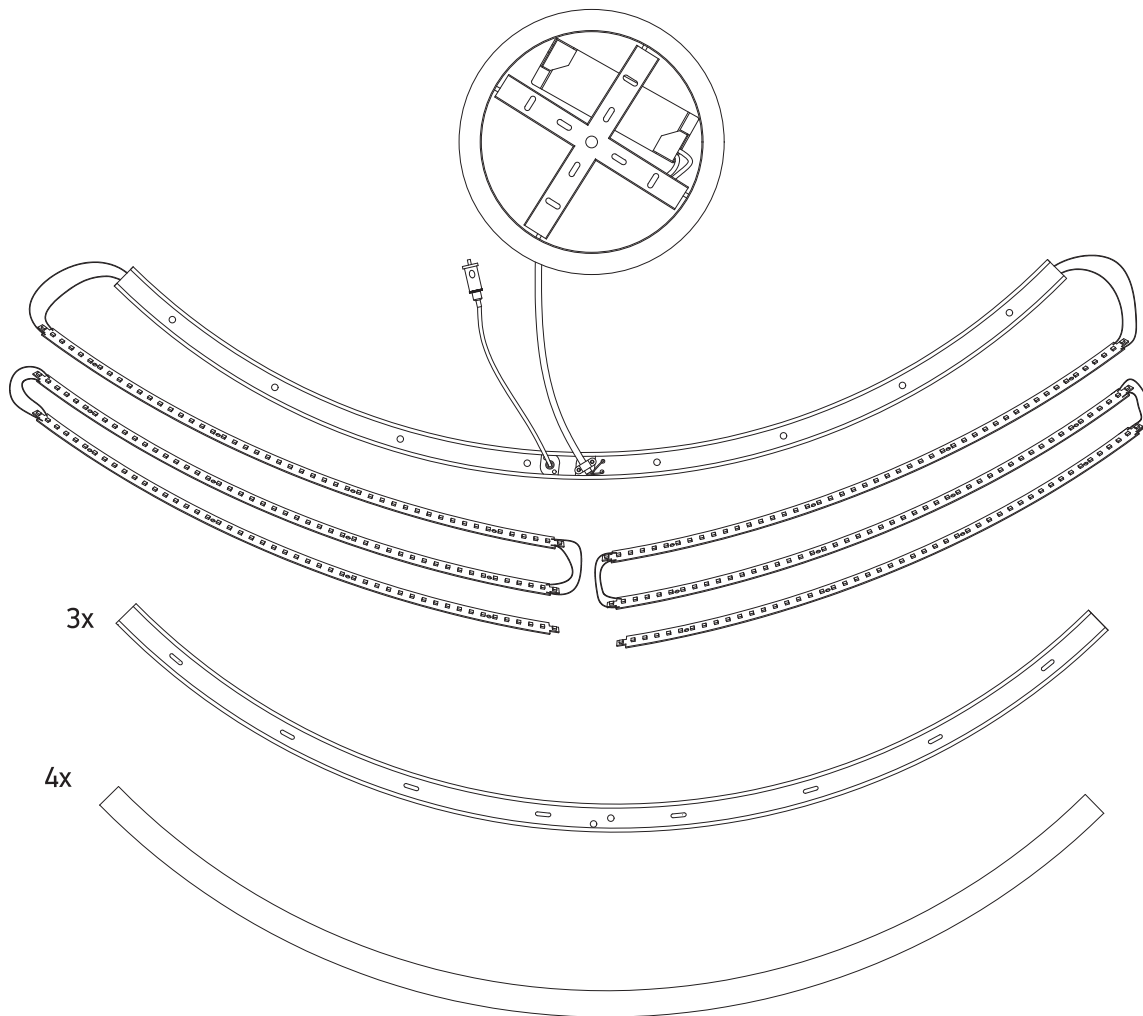
80
CRI



230V | SMD 2835 | 65W | IP20 | Aluminium
Complete with 1600mA driver.



one
LIGHT



3x

4x



3x



4x



34x



8x



22x



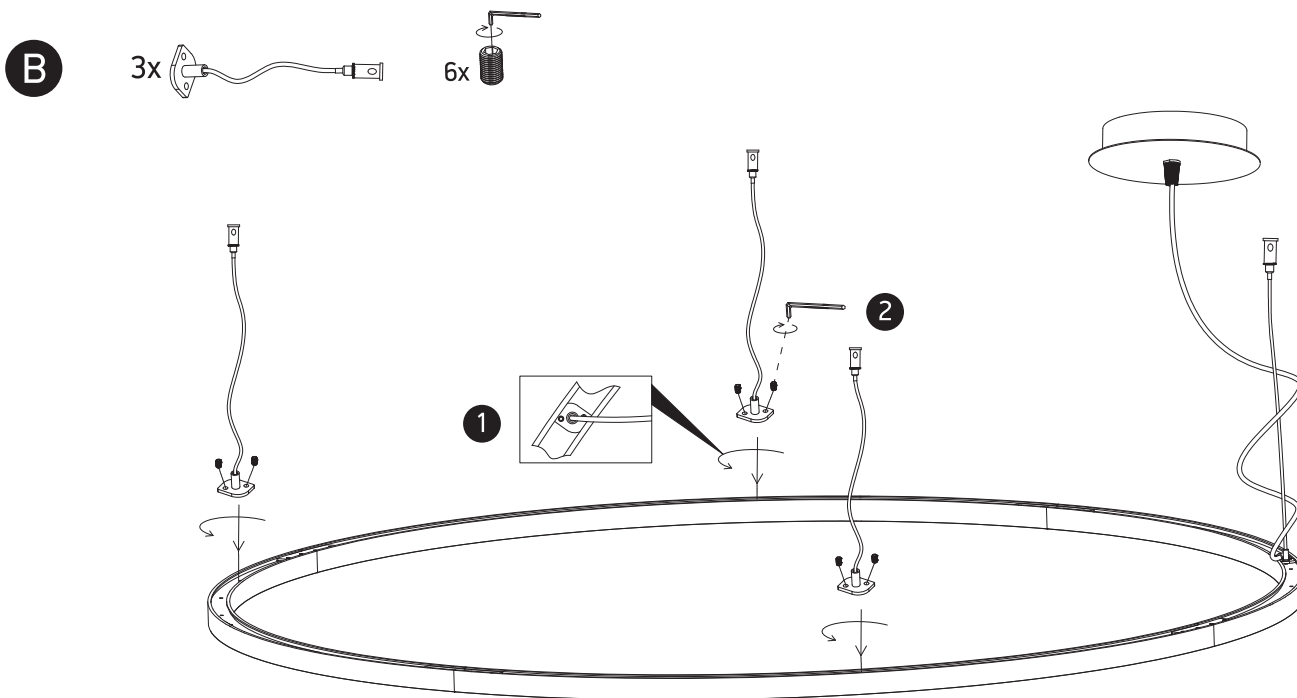
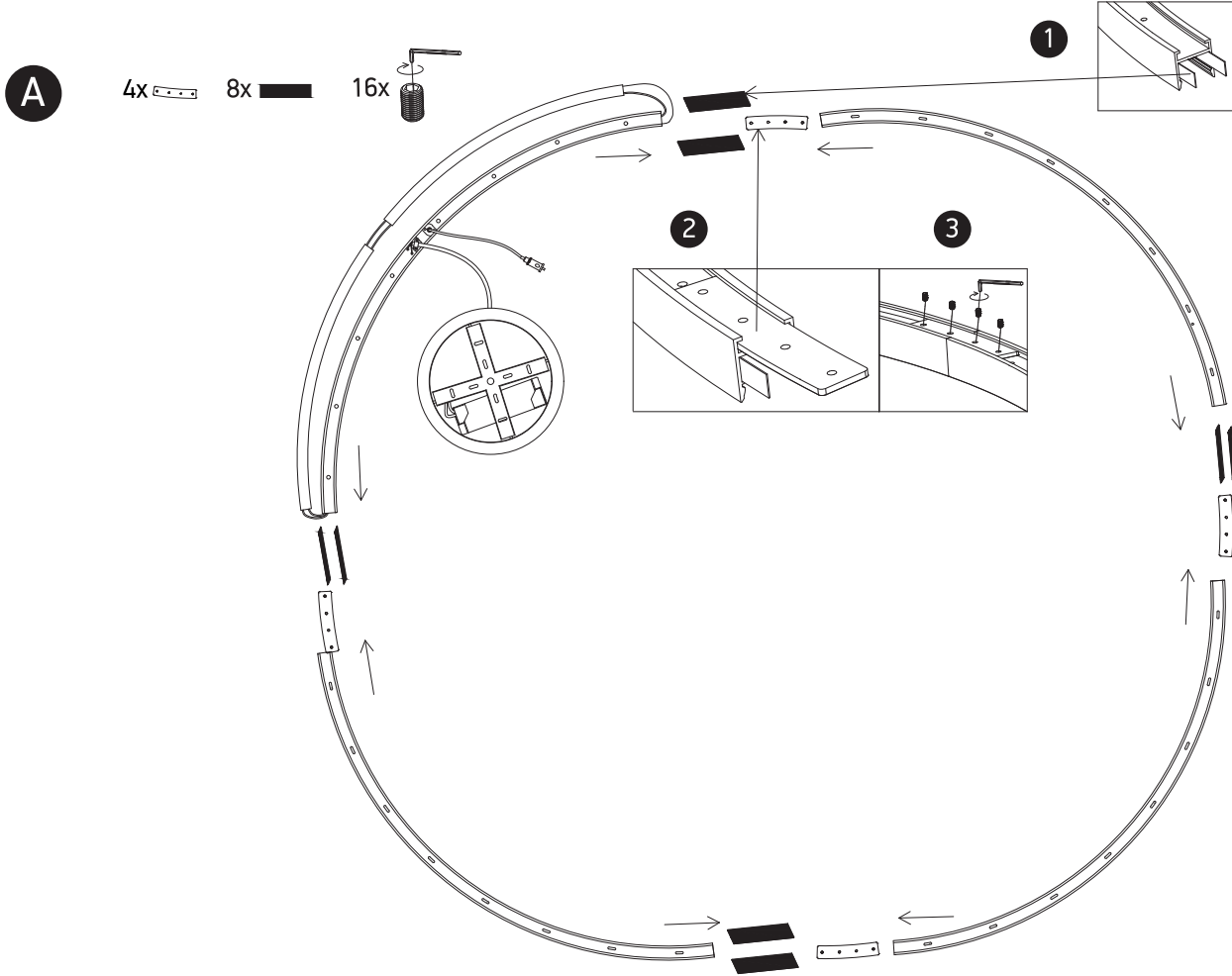
8x



8x

Warnings:

1. Fix the base on the ceiling.
2. Make sure that the product is installed properly before connecting to electricity.
3. Connect the AC power cable to the driver's cable as shown in the above diagram.
4. Do not cover the fitting.
5. Maintenance and installation should only be carried out by a professional electrician.

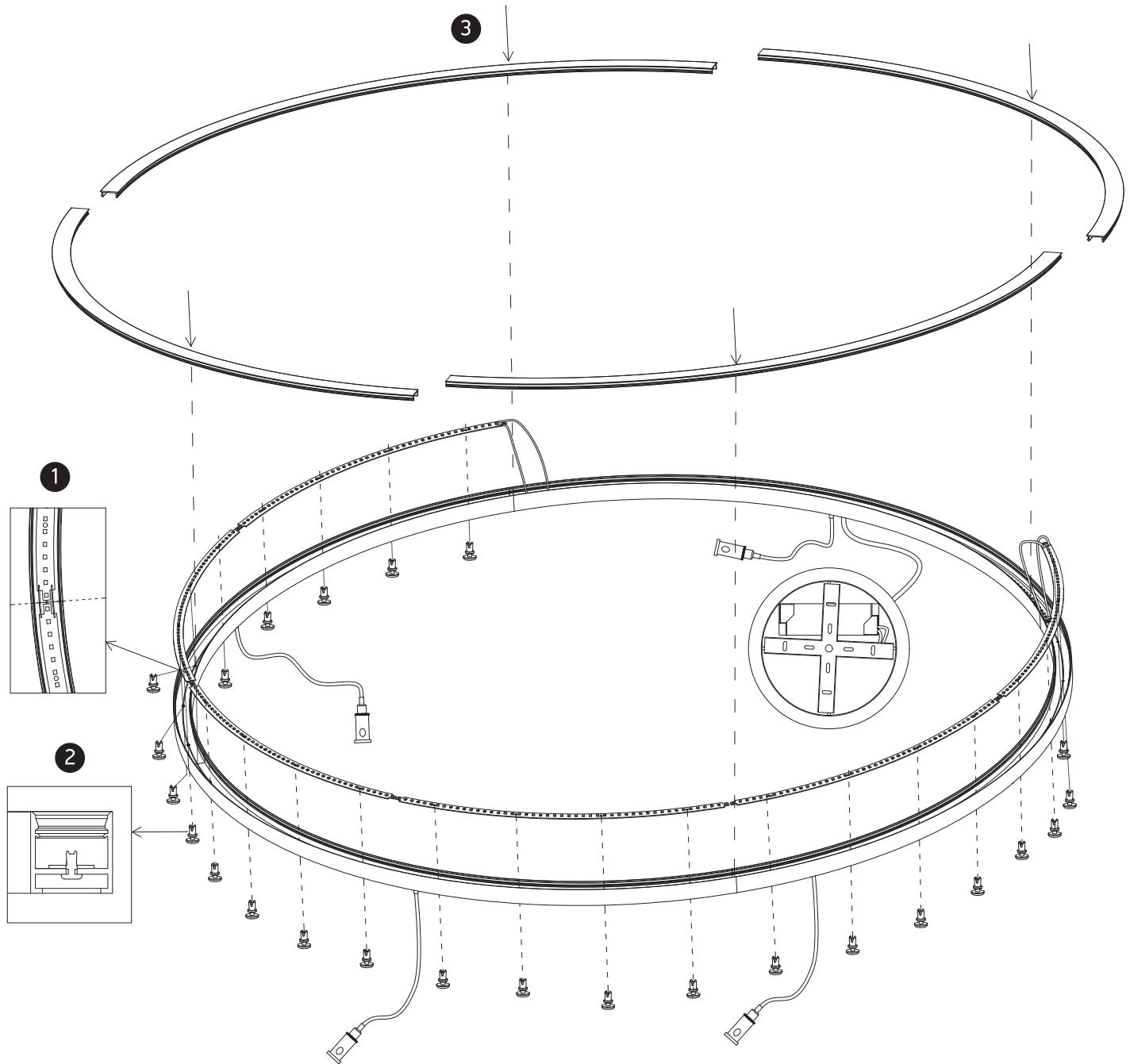




C

34x 

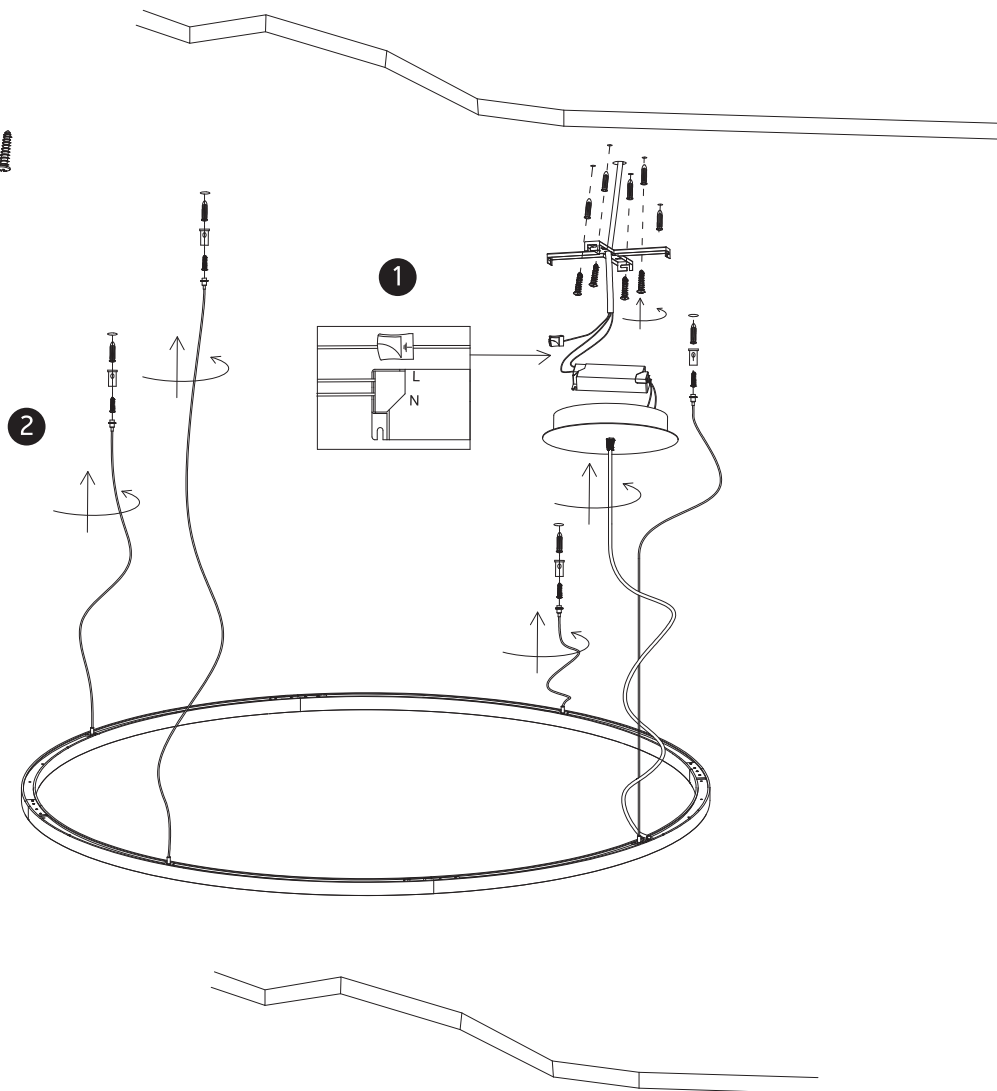
4x





D

8x  8x 



E

