

INSTALLATION MANUAL

62148D

ecolight



CE

RoHS
COMPLIANT



NOT
DIMMABLE

910mm

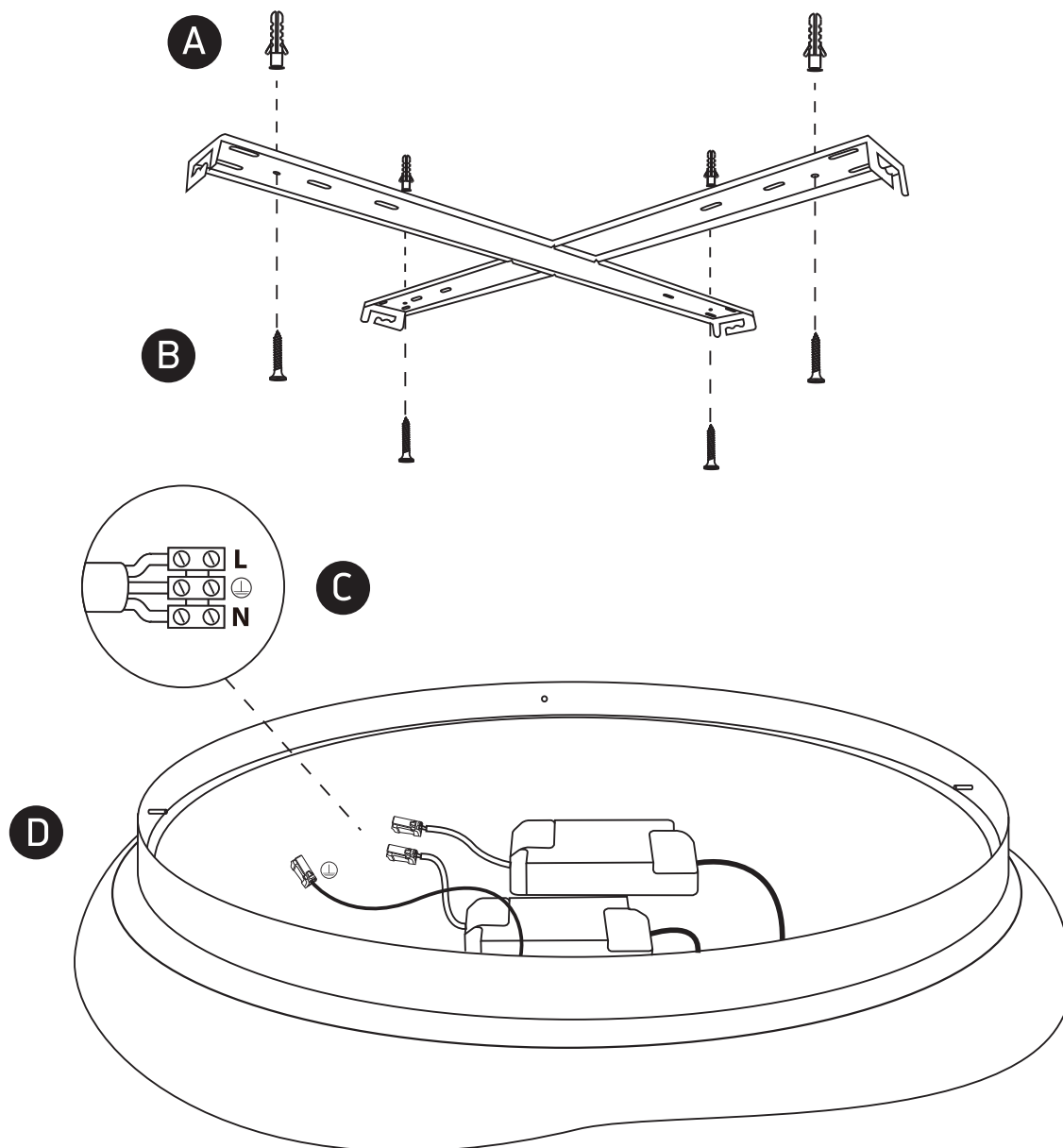


230V | SMD 2835 | 108W | IP20 | Metal base + PC

Complete with 1300mA drivers.

80
CRI

one
LIGHT



Warnings:

1. Fix the base on the ceiling.
2. Make sure that the product is installed properly before connecting to electricity.
3. Connect the AC power cable to the driver's cable as shown in the above diagram.
4. Do not cover the fitting.
5. Maintenance and installation should only be carried out by a professional electrician.