

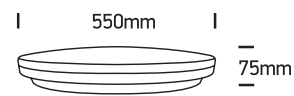
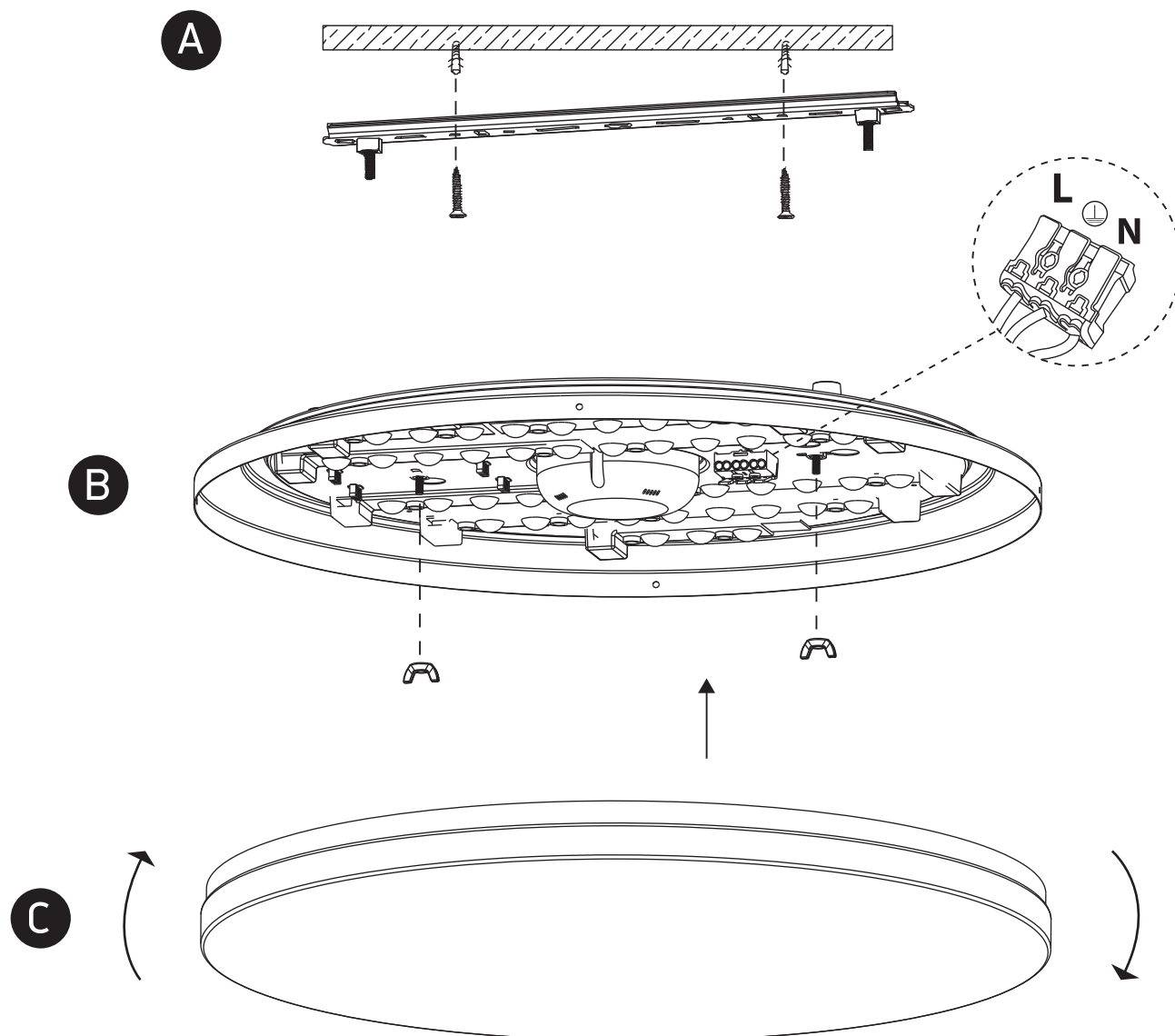
INSTALLATION MANUAL

62146

ecolight


230V | SMD 2835 | 55W | IP20 | Iron + PS

Complete with 600mA driver

80
CRI
one
LIGHT


Warnings:

1. Fix the base on the ceiling.
2. Make sure that the product is installed properly before connecting to electricity.
3. Connect the AC power cable to the driver's cable as shown in the above diagram.
4. Do not cover the fitting.
5. Maintenance and installation should only be carried out by a professional electrician.