

# INSTALLATION MANUAL

## 62140RF

**ecolight**



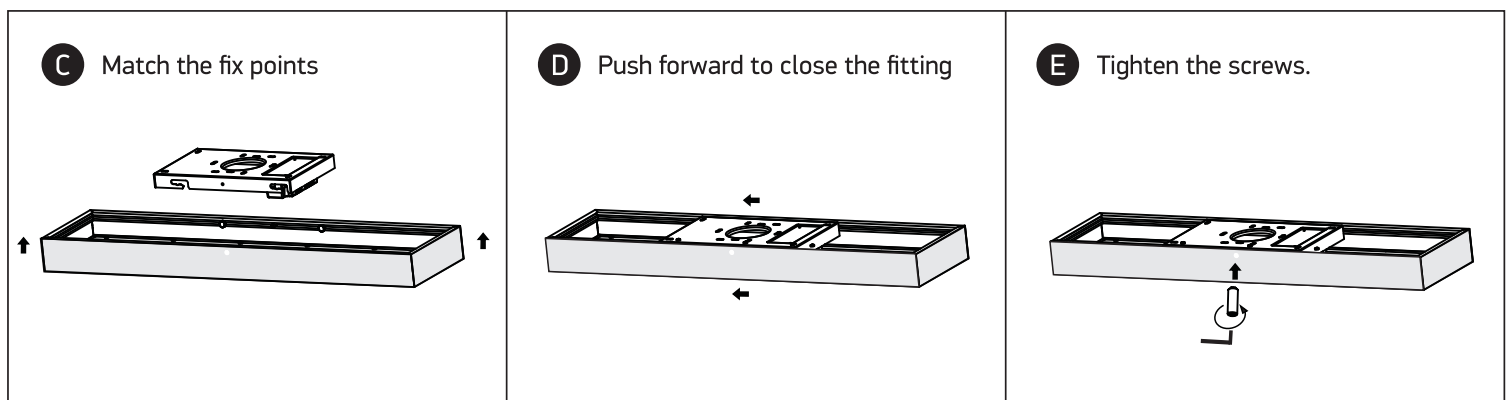
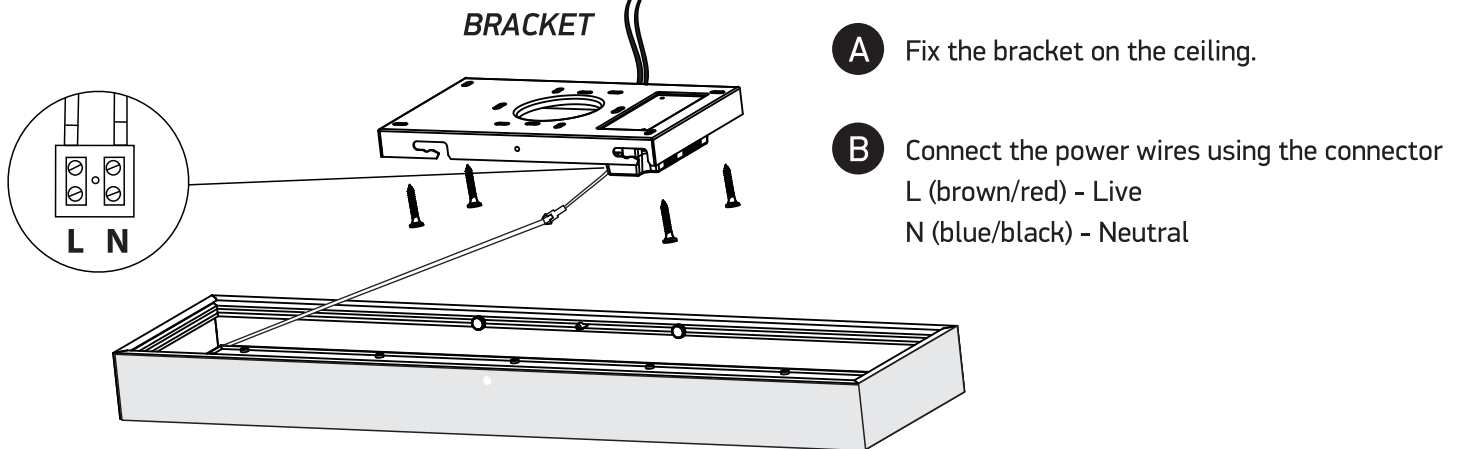
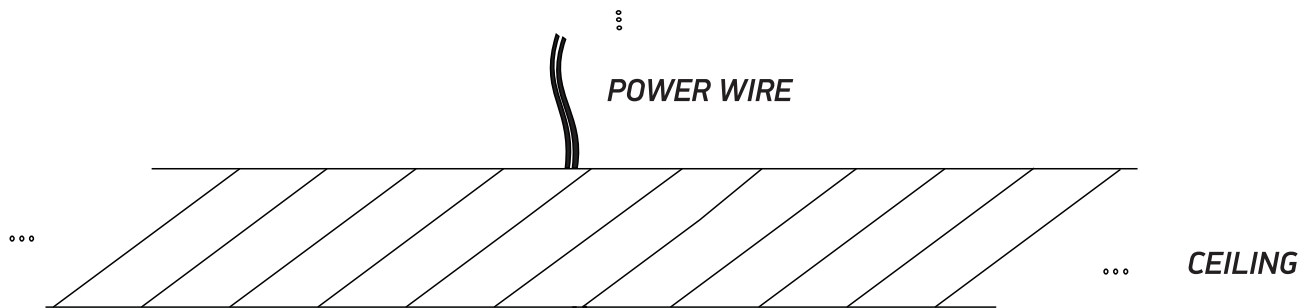
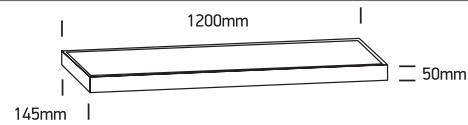
80  
CRI



**one**  
LIGHT

230V | SMD 2016 | 40W | IP40 | Die cast

Complete with driver.



### Warnings:

1. Make sure that the product is installed properly before connecting to electricity.
2. Do not cover the fitting.
3. Maintenance and installation should only be carried out by a professional electrician.