

INSTALLATION MANUAL

62116F

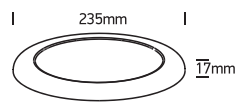
ecolight



80
CRI

CE

RoHS
COMPLIANT



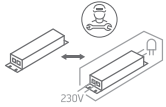
230V | SMD 2835 | 16W | IP20 | Plastic

Complete with 210mA driver.

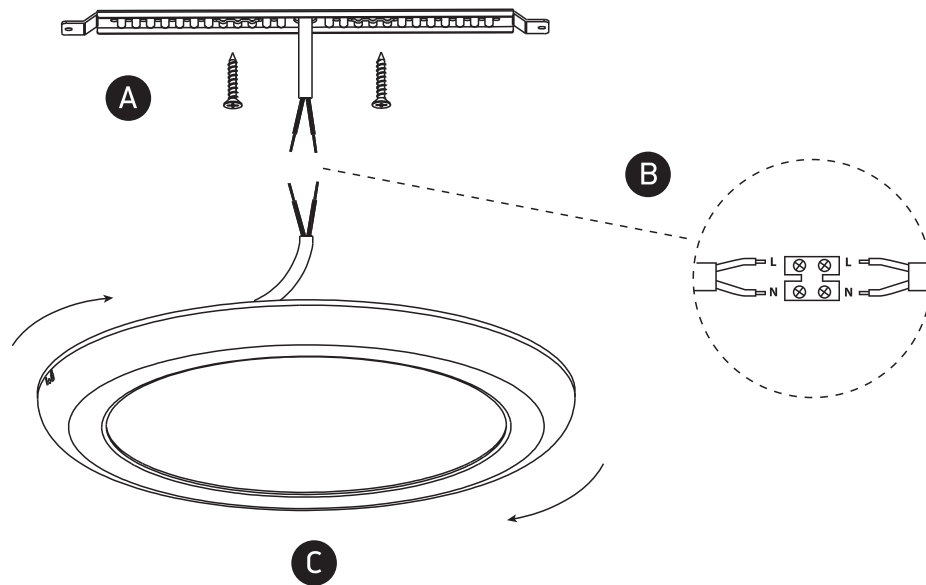
70-175mm

50mm

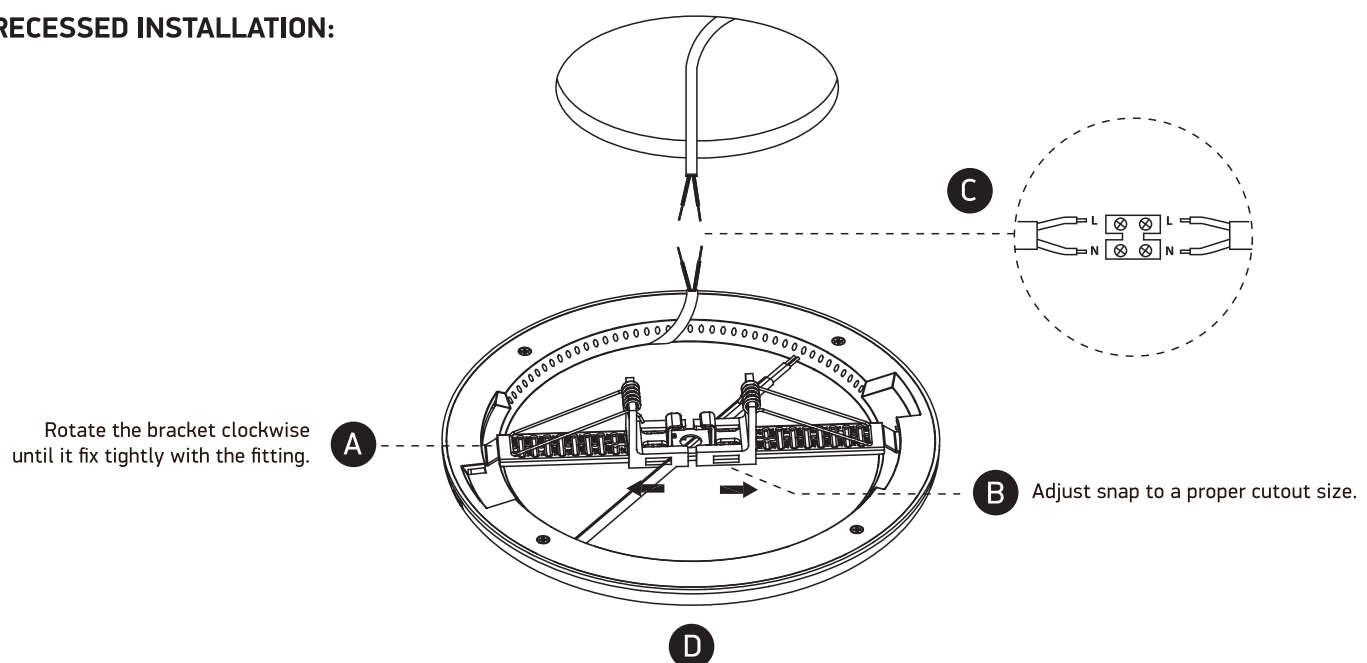
one
LIGHT



SURFACE INSTALLATION:



RECESSED INSTALLATION:



Warnings:

1. Make sure that the product is installed properly before connecting to electricity.
2. Do not cover the fitting.
3. Maintenance and installation should only be carried out by a professional electrician.