

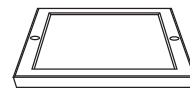
INSTALLATION MANUAL

62018AF

ecolight

**80
CRI**


| 220x220mm |



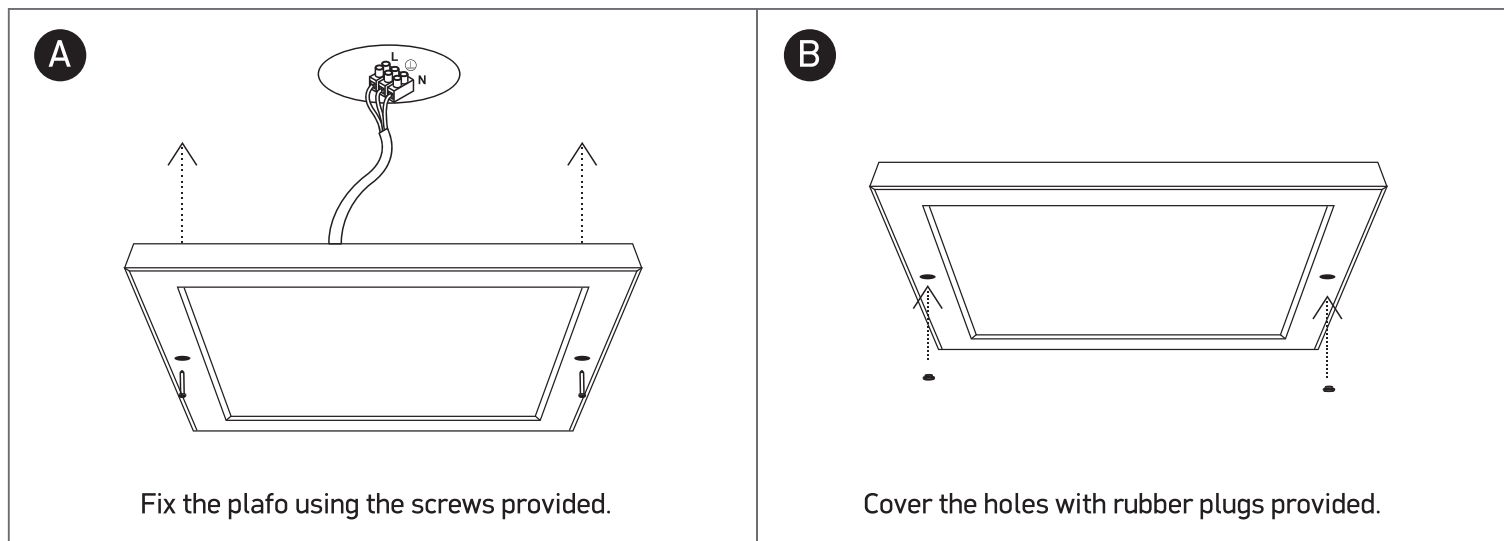
= 18mm

one
LIGHT

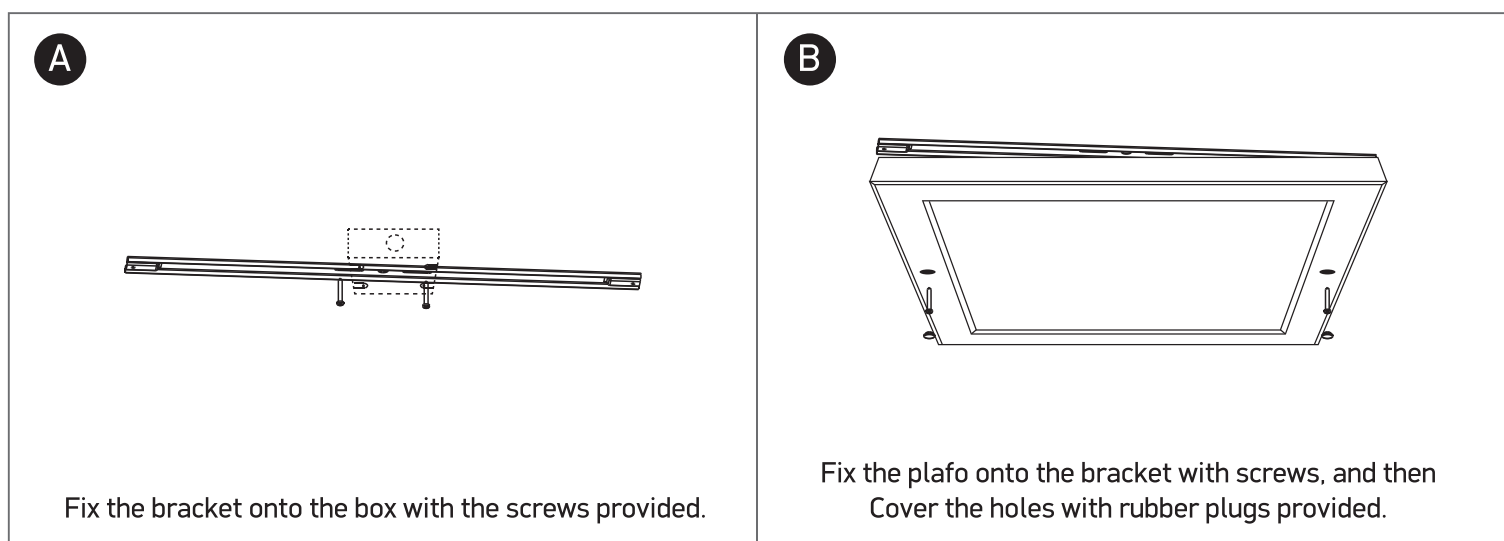
230V | SMD 4014 | 18W | IP40 | Aluminium + PC

Complete with driver.

SURFACE MOUNTED



INSTALL USING THE BRACKET



Warnings:

1. Make sure that the product is installed properly before connecting to electricity.
2. Do not cover the fitting.
3. Maintenance and installation should only be carried out by a professional electrician.