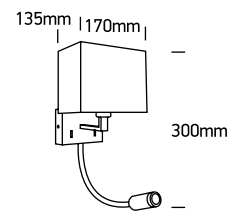


# INSTALLATION MANUAL

61122

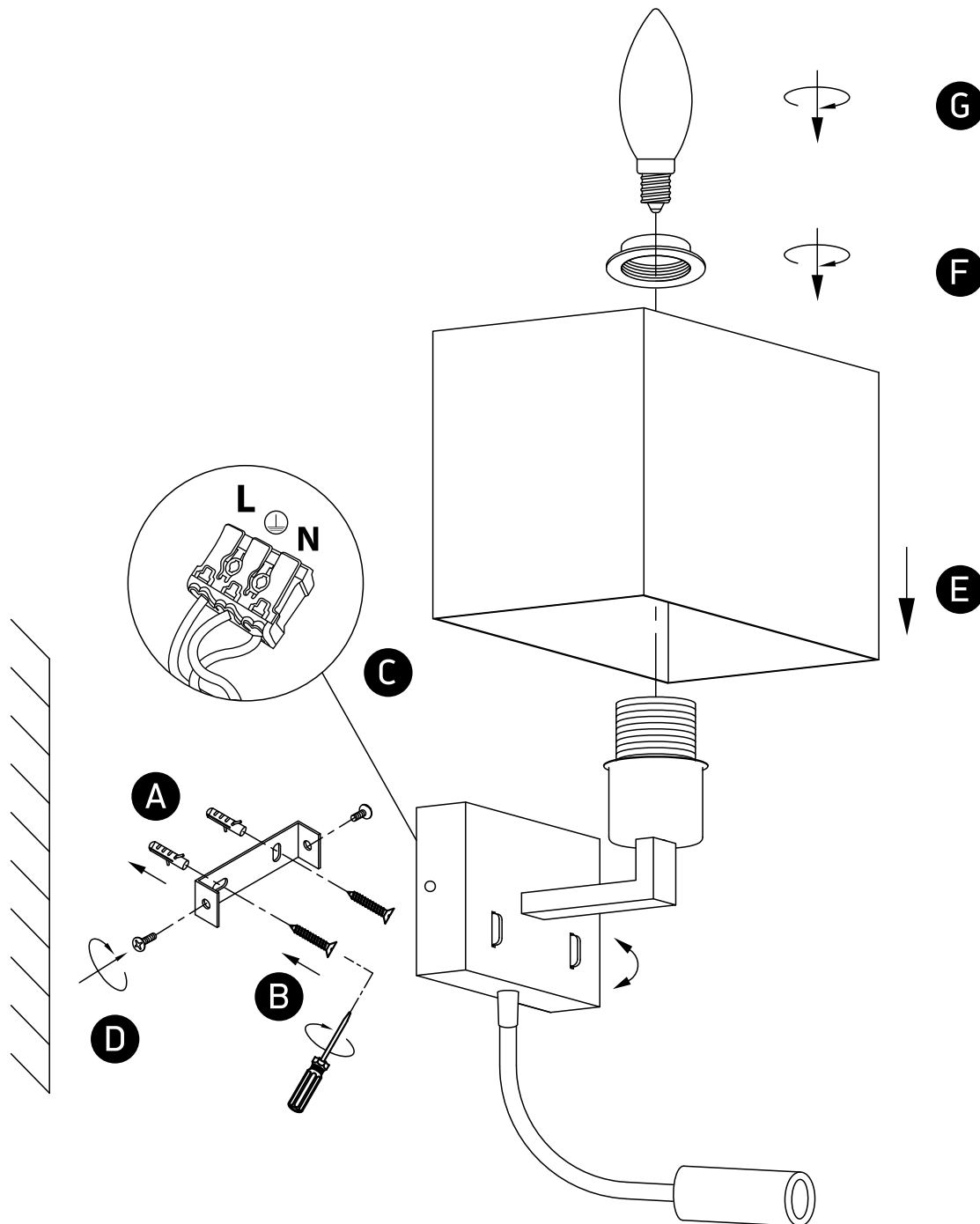
**ecolight**


ADJUSTABLE



3W LED + 8W E14 | 230V | IP20 | Metal + black fabric shade

Complete with 500mA driver.

**one**  
LIGHT


## Warnings:

1. Make sure that the product is installed properly before connecting to electricity.
2. Do not cover the fitting.
3. Maintenance and installation should only be carried out by a professional electrician.