

# INSTALLATION MANUAL

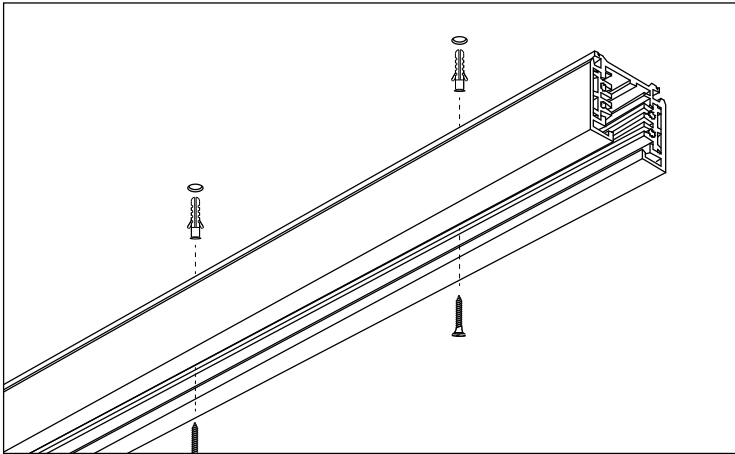
## 40001A, 40002A, 40003A

Aluminium 1m / 2m / 3m Surface track | 3 phase | 16A | 100-240V

**one**  
LIGHT

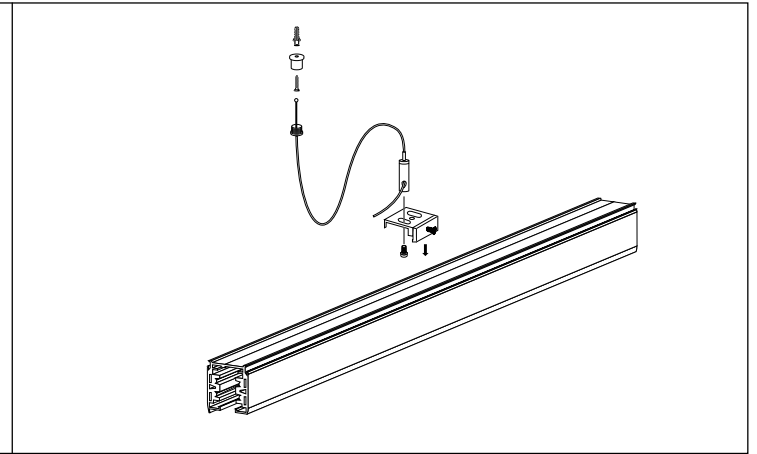
### SURFACE INSTALLATION:

1. Install track on the ceiling by using fixing screws.
2. Drill base of the track for the installation of fixing screws.  
We recommend 1 screw every 50cm.



### SUSPENDED INSTALLATION:

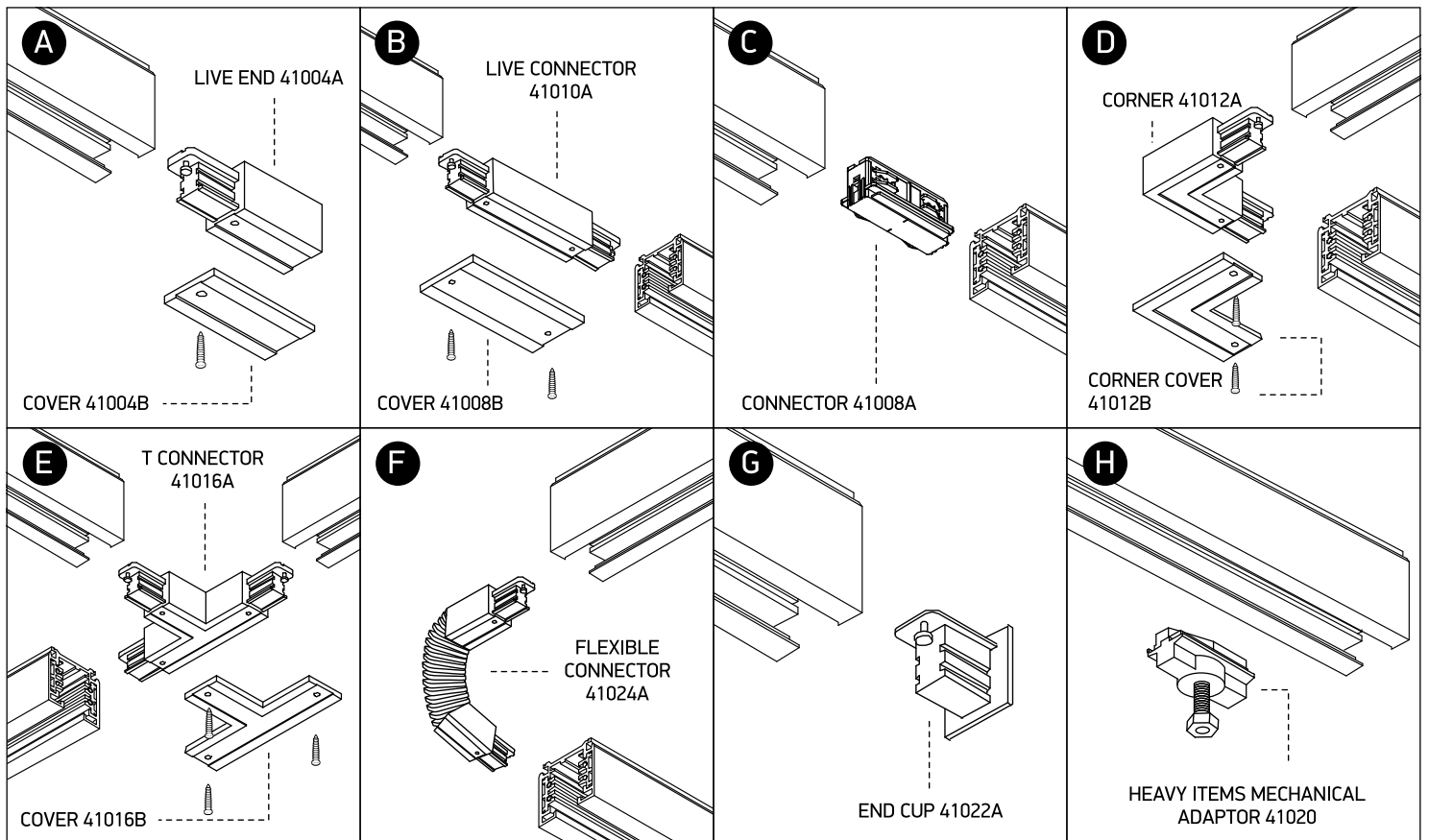
1. Use suspension kit 41026R. We recommend 1 suspension kit every 1m.
2. Fix the suspension wire to the ceiling.
3. Install fixing clip of suspension kit on the track and screw it.
4. Fix the gripper on the suspended wire and then fix it to the clip of track.



### TRACK ACCESSORIES:

1. Please make sure that power is off before connecting any accessory.
2. Please check the polarity of the track and accessories.

Maximum load (Kg): 10Kg/m



### Warnings:

1. Make sure that the product is installed properly before connecting to electricity.
2. Do not cover the fitting.
3. Maintenance and installation should only be carried out by a professional electrician.