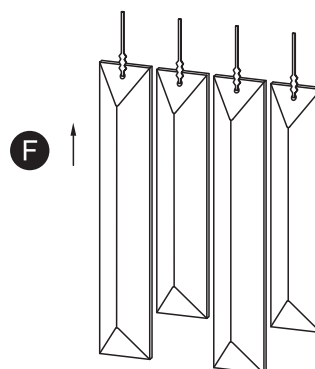
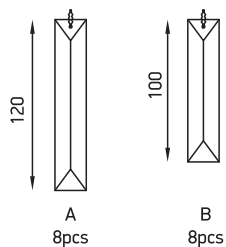
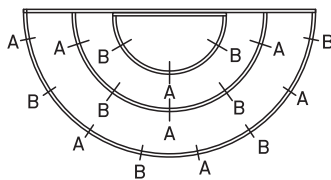
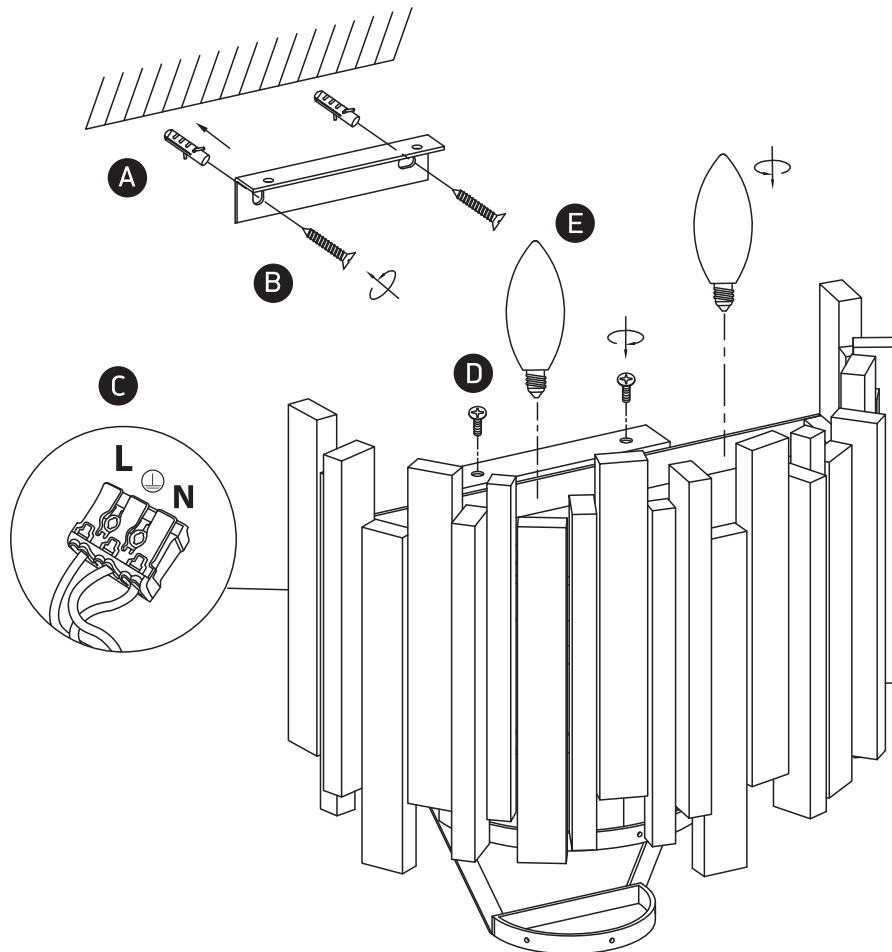
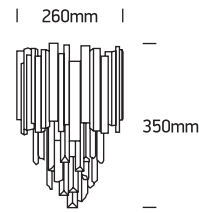


INSTALLATION MANUAL

60132



100-240V | E14 | 2x8W | IP20 | Aluminium + glass



Warnings:

1. Make sure that the product is installed properly before connecting to electricity.
2. Do not cover the fitting.
3. Maintenance and installation should only be carried out by a professional electrician.