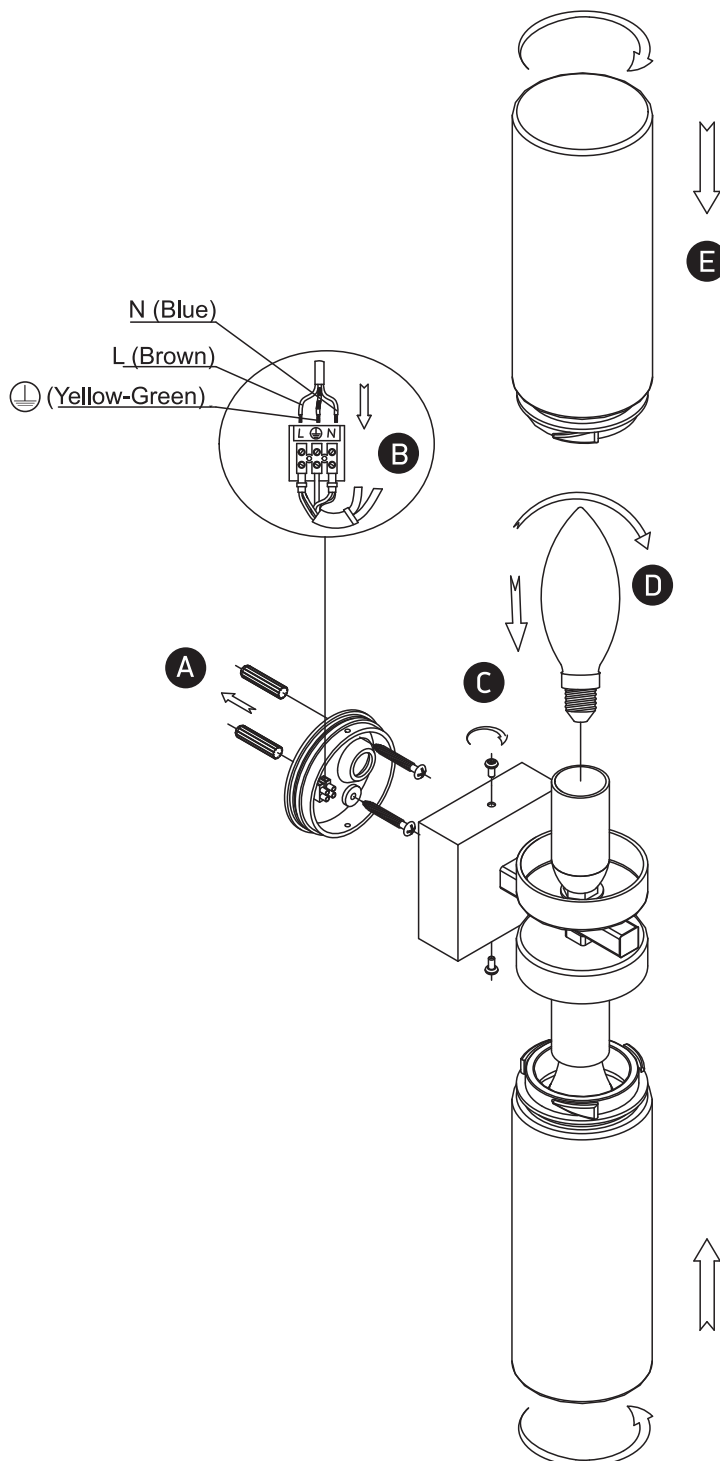
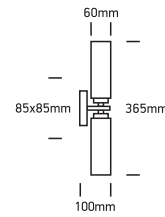


# INSTALLATION MANUAL

## 60106A



100-240V | E14 | 2x40W | IP44 | Metal + Glass



### Warnings:

1. Make sure that the product is installed properly before connecting to electricity.
2. Do not cover the fitting.
3. Maintenance and installation should only be carried out by a professional electrician.