

INSTALLATION MANUAL

51209B, 51220B, 51240B

ecodownlight



CRI 80
ADJUSTABLE

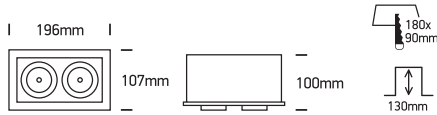
CE **RoHS**



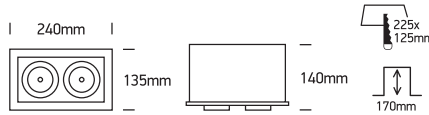
Complete with drivers

one
LIGHT

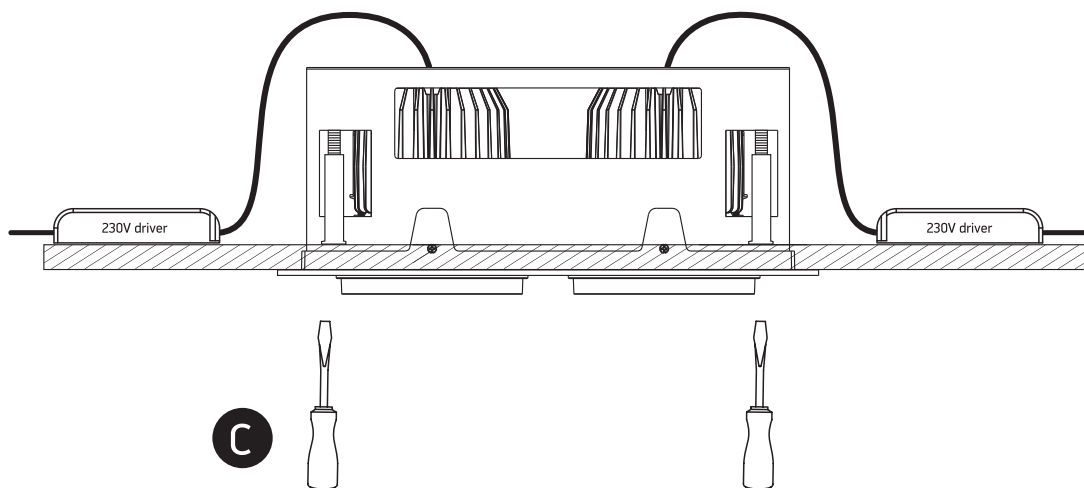
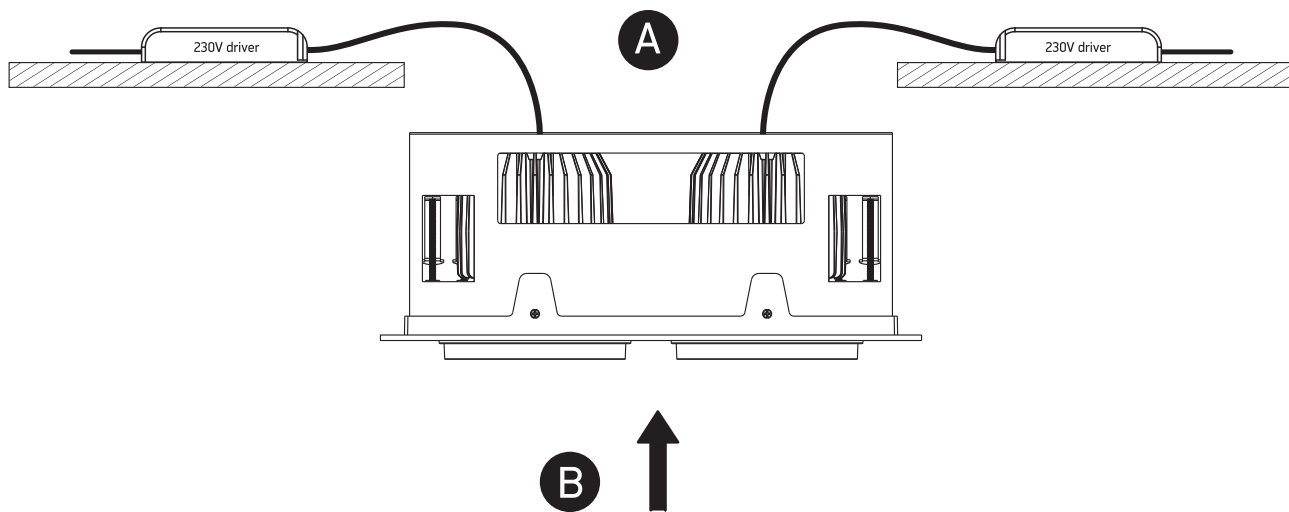
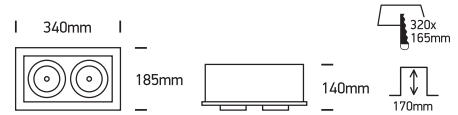
51209B: 230V | 2x10W | IP20 | Die cast



51220B: 230V | 2x20W | IP20 | Die cast



51240B: 230V | 2x40W | IP20 | Die cast



Warnings:

1. Make sure that the product is installed properly before connecting to electricity.
2. Do not cover the fitting.
3. Maintenance and installation should only be carried out by a professional electrician.