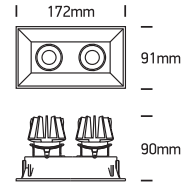


# INSTALLATION MANUAL

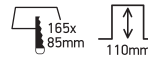
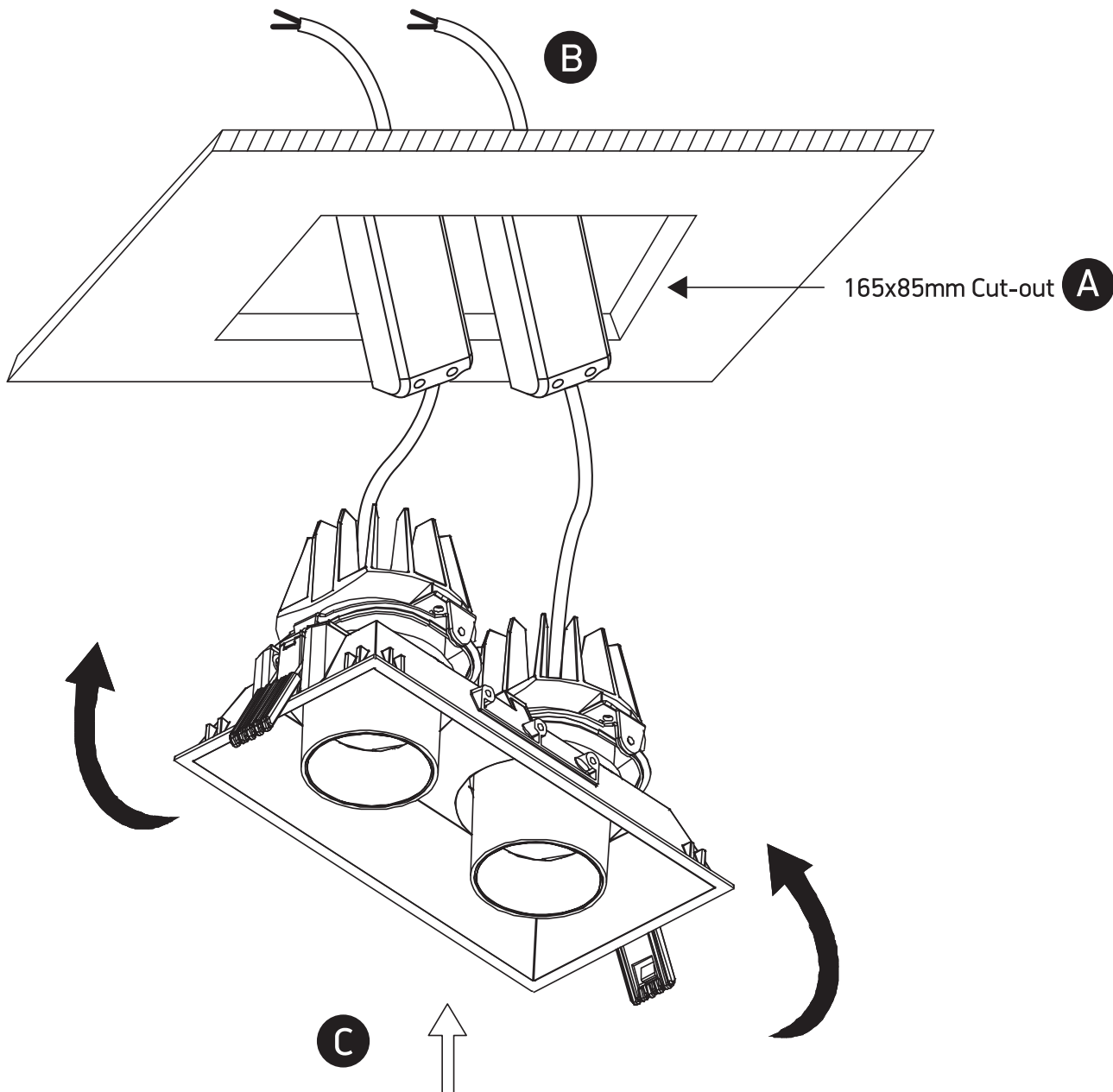
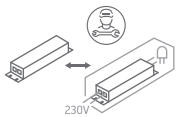
## 51211C

**ecolight**

**DARK  
LIGHT**


230V | 2x11W | IP20 | Die cast | Adjustable

 Complete with 250mA drivers.  
Complete with Black & Brass reflectors.

**90  
CRI**

**one**  
LIGHT


### Warnings:

1. Make sure that the product is installed properly before connecting to electricity.
2. Do not cover the fitting.
3. Maintenance and installation should only be carried out by a professional electrician.