

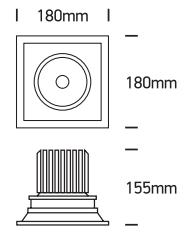
# INSTALLATION MANUAL

## 51140TR

ecodownlight

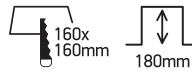


CRI 80  
ADJUSTABLE



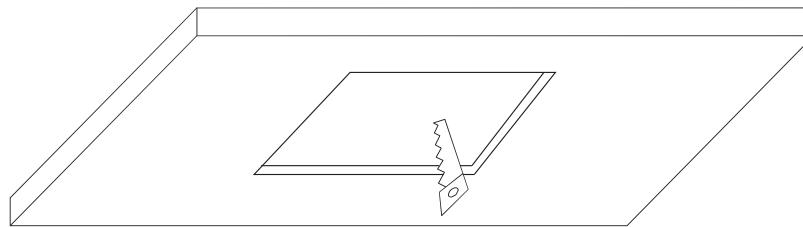
230V | 40W | IP20 | Die cast

Complete with driver



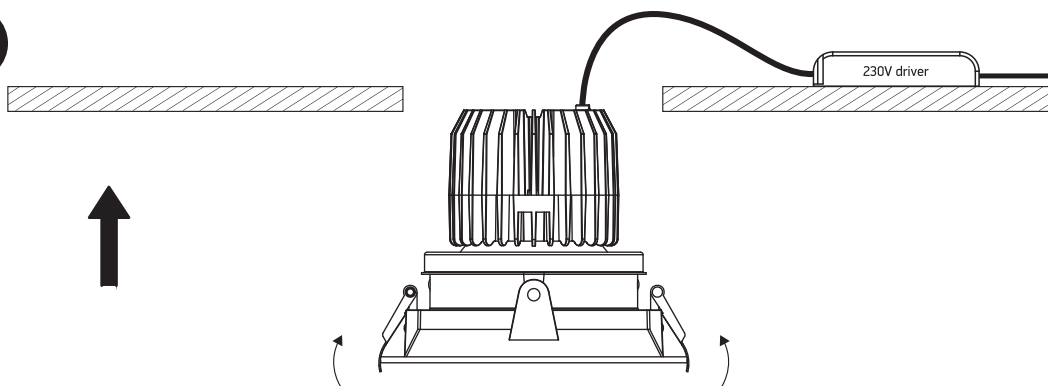
one  
LIGHT

A

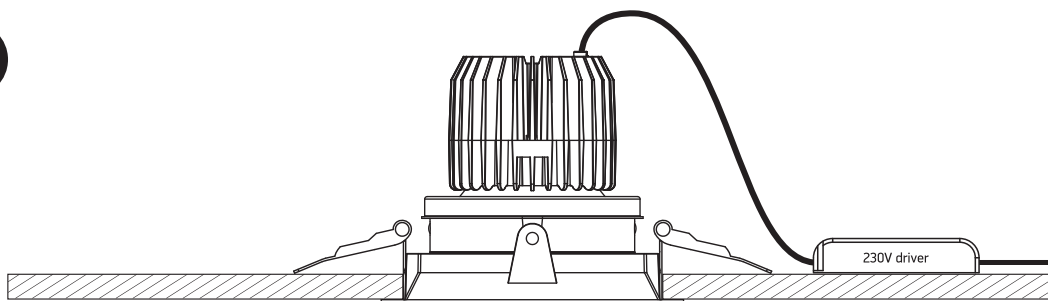


CUTOUT HOLE: 160x160mm

B



C



### Warnings:

1. Make sure that the product is installed properly before connecting to electricity.
2. Do not cover the fitting.
3. Maintenance and installation should only be carried out by a professional electrician.