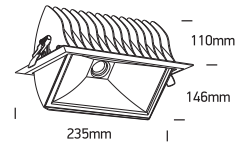


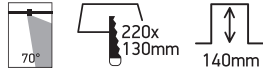
# INSTALLATION MANUAL

51140

**eco**downlight

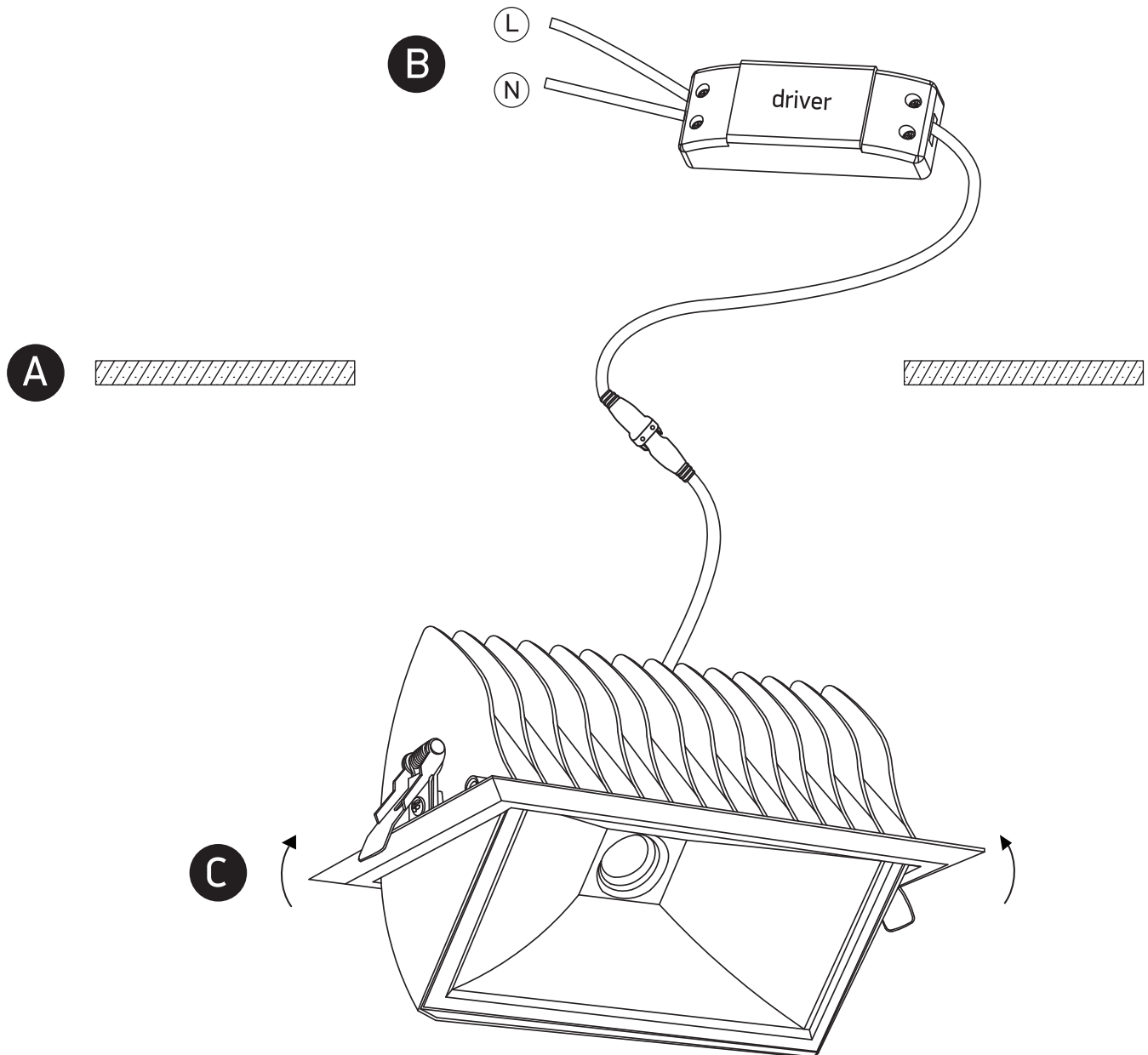


230V | 40W | IP20 | Aluminium  
Complete with 1050mA driver.



80  
CRI

**one**  
LIGHT



## Warnings:

1. Make sure that the product is installed properly before connecting to electricity.
2. Do not cover the fitting.
3. Maintenance and installation should only be carried out by a professional electrician.