

# INSTALLATION MANUAL

51112E

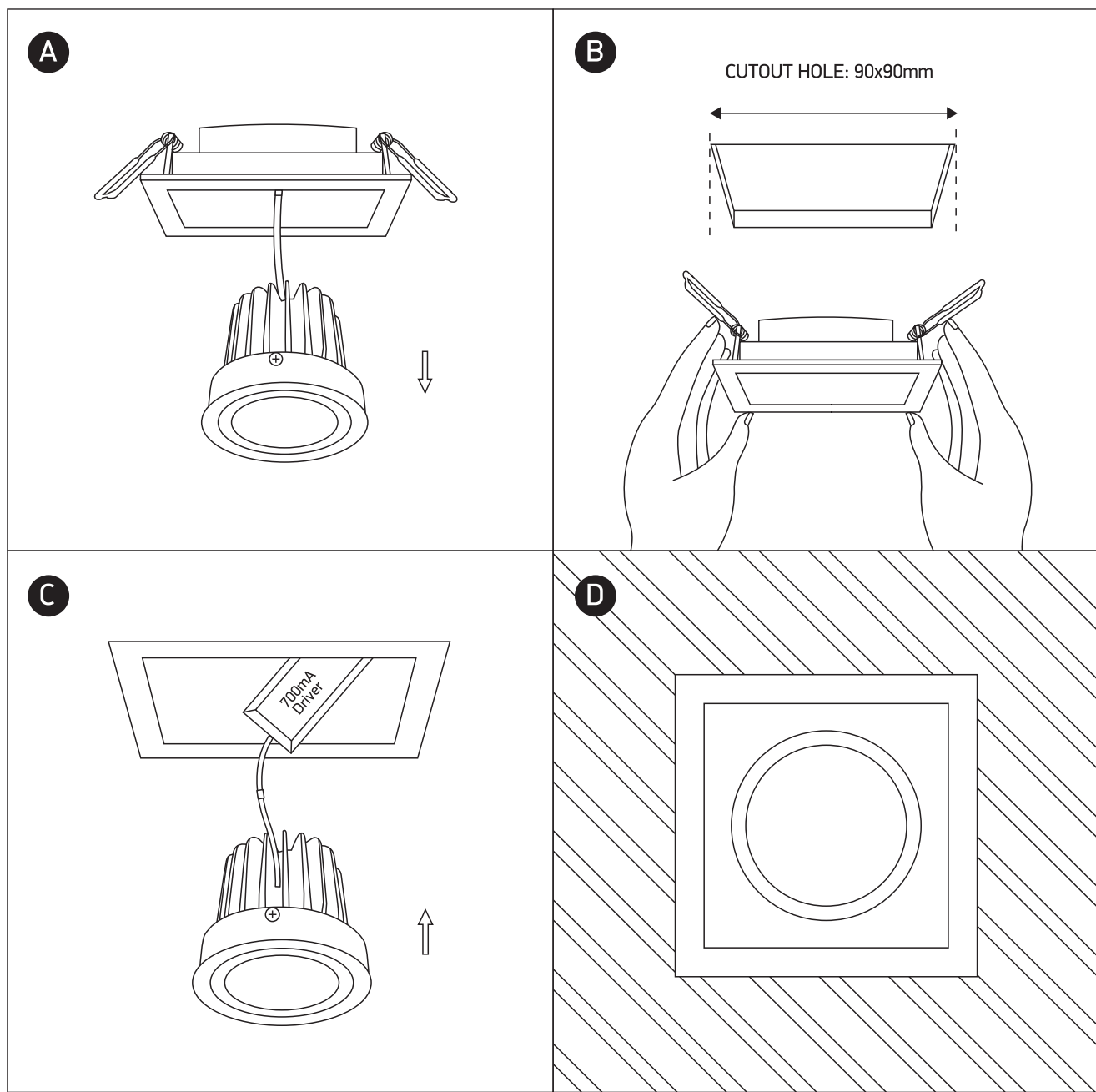
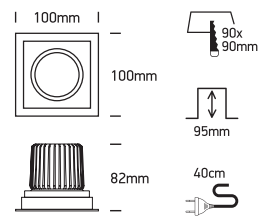
**ecolight**



700mA | 12W | IP20 | Die cast | Adjustable  
Requires 700mA driver.



80 CRI



**Warnings:**

1. Make sure that the product is installed properly before connecting to electricity.
2. Do not cover the fitting.
3. Maintenance and installation should only be carried out by a professional electrician.