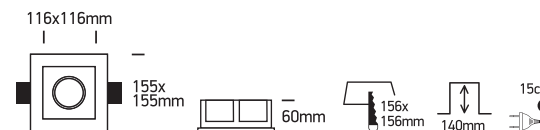


# INSTALLATION MANUAL

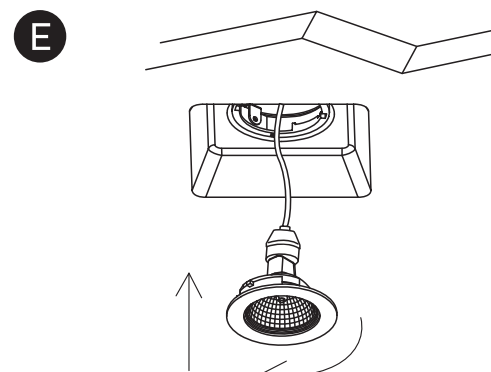
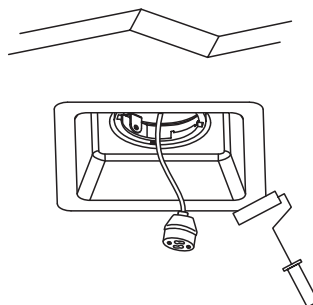
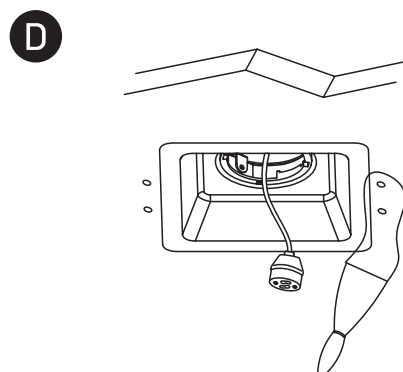
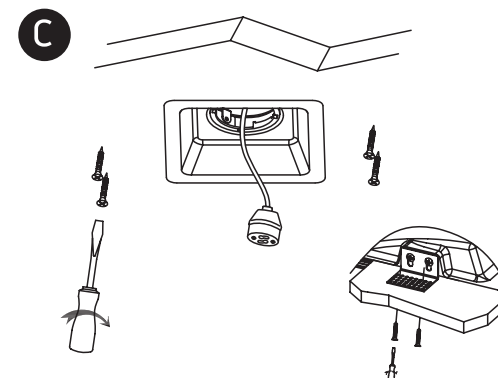
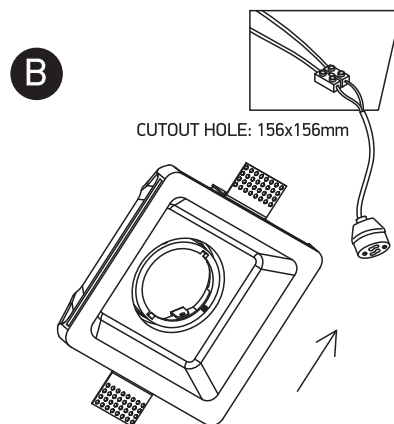
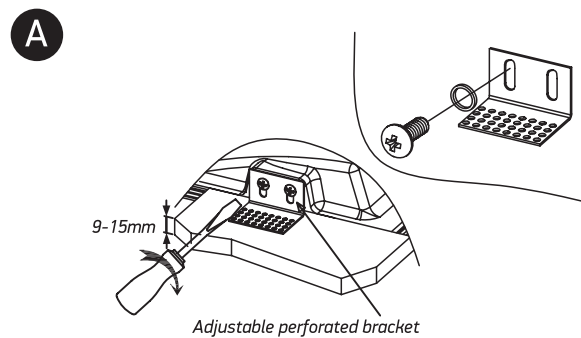
51105GT4



100-240V | 10W | MR16 | GU10 | IP20 | Gypsum | Adjustable



one  
LIGHT



## Warnings:

1. Make sure that the product is installed properly before connecting to electricity.
2. Do not cover the fitting.
3. Maintenance and installation should only be carried out by a professional electrician.