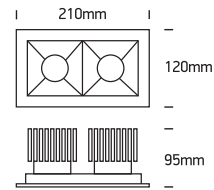


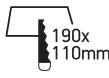
INSTALLATION MANUAL

50220B

ecodownlight

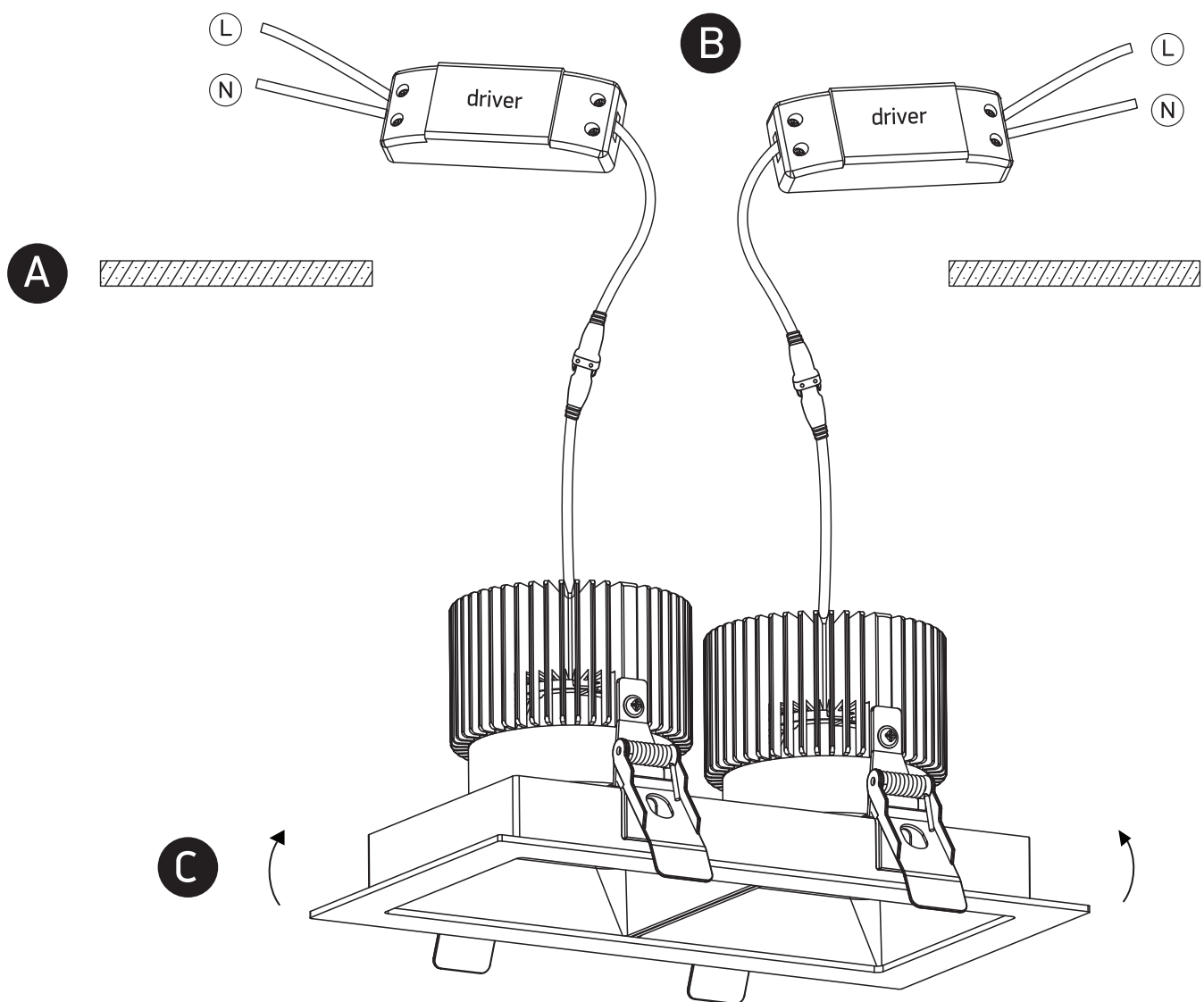


230V | 2x20W | IP20 | Aluminium + metal
Complete with 500mA drivers.



80
CRI

one
LIGHT



Warnings:

1. Make sure that the product is installed properly before connecting to electricity.
2. Do not cover the fitting.
3. Maintenance and installation should only be carried out by a professional electrician.