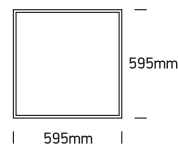


INSTALLATION MANUAL

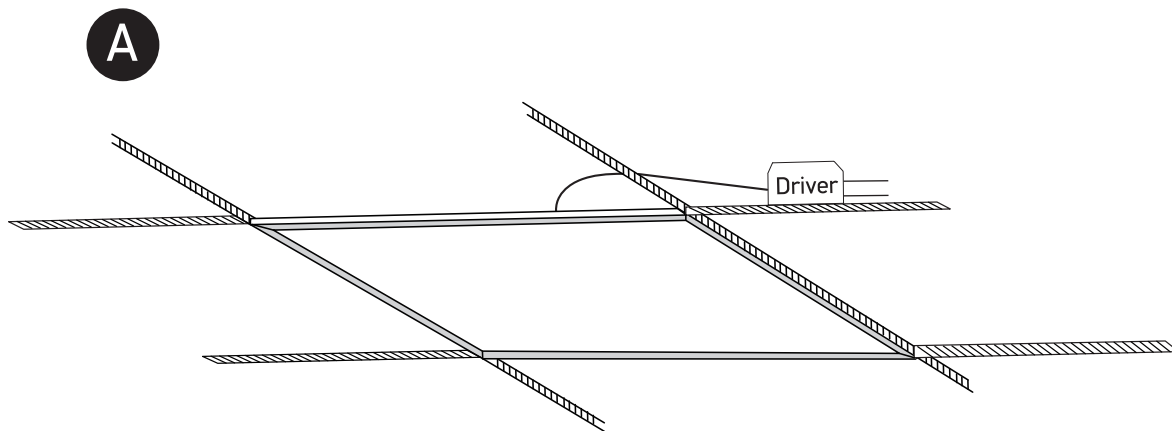
50143F

ecopanel

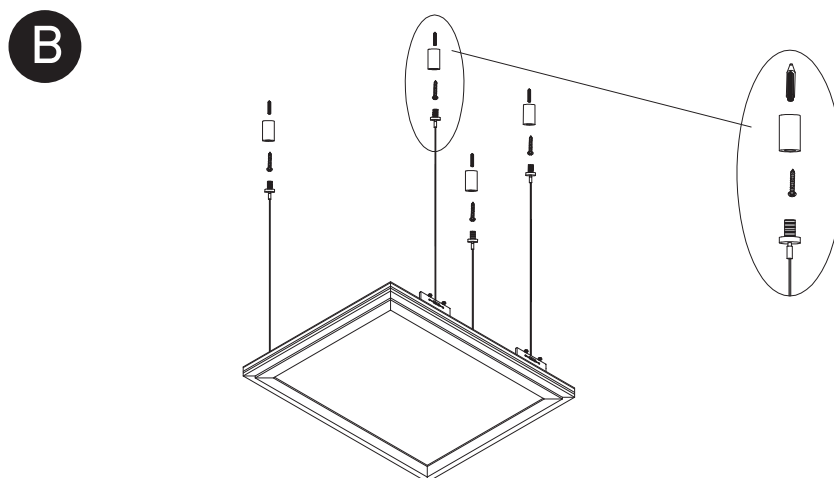


230V | 48W | IP20 | Aluminium

Complete with LED driver
Suspension kit order code 050017



Recesed fitting for 600x600mm T-rail false ceilings



Ceiling mount suspended applications using optional kit 050017

Warnings:

1. Make sure that the product is installed properly before connecting to electricity.
2. Do not cover the fitting.
3. Maintenance and installation should only be carried out by a professional electrician.