

# INSTALLATION MANUAL

## 50140BR

ecopanel

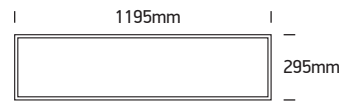


230V | SMD 2835 | 40W | IP20 | Aluminium + Steel

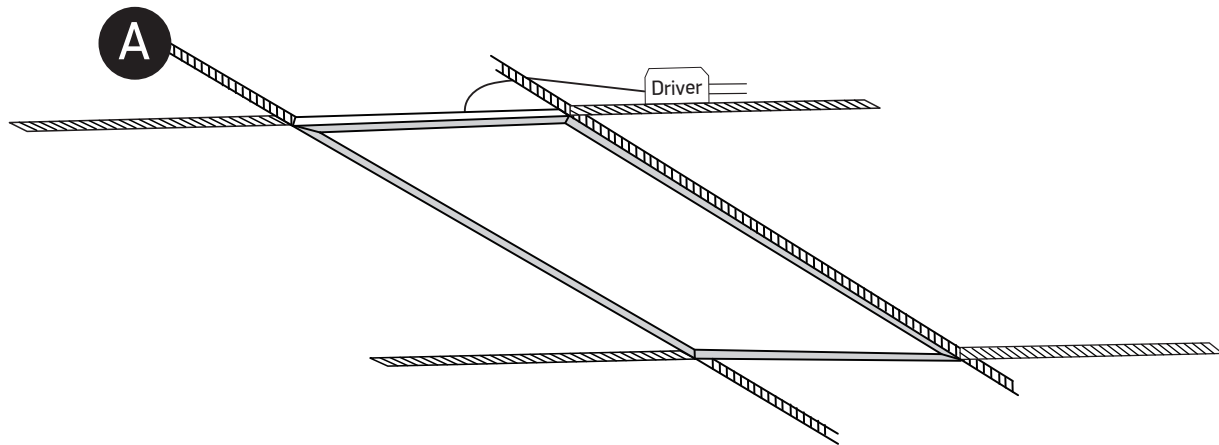
Complete with 1000mA driver. Optional suspension kit.

Order code 050017. Optional clips for recessed installation. Order code 050108 (2 Sets).

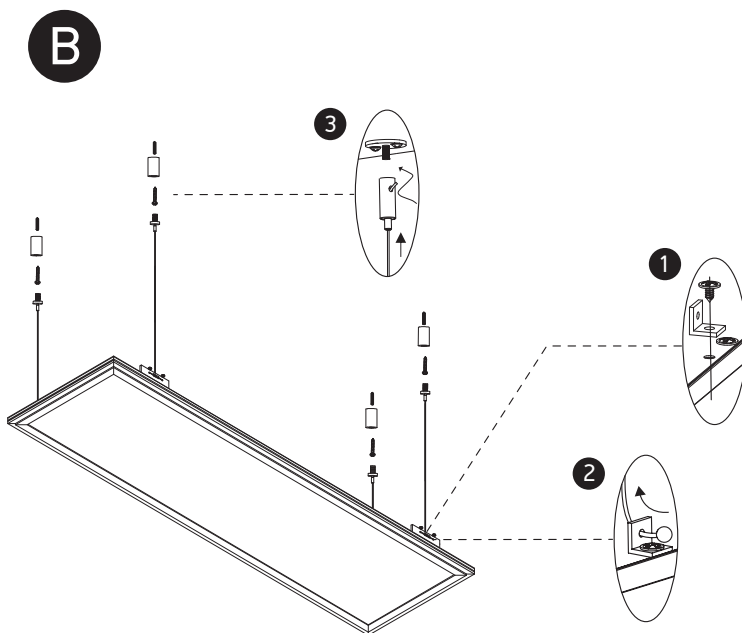
80  
CRI



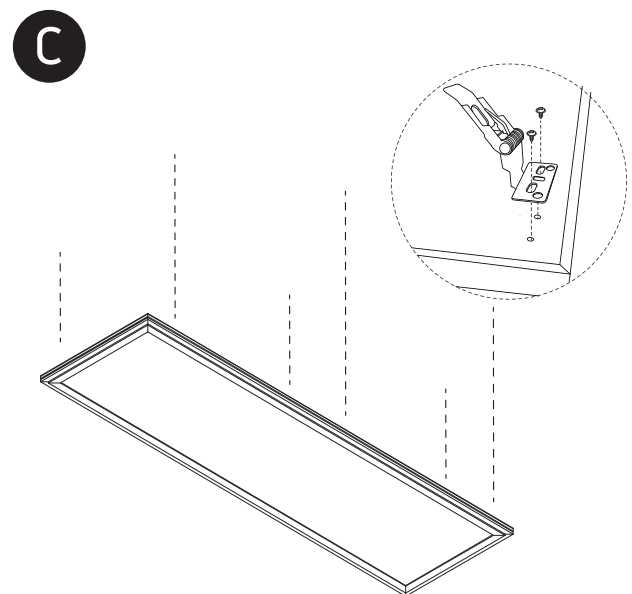
one  
LIGHT



Recessed fitting for 1200x300mm T-rail false ceilings



Ceiling mount suspended applications  
using optional kit 050017.



Recessed mount applications  
using optional kit 050108 (2 Sets).

### Warnings:

1. Make sure that the product is installed properly before connecting to electricity.
2. Do not cover the fitting.
3. Maintenance and installation should only be carried out by a professional electrician.

# INSTALLATION MANUAL

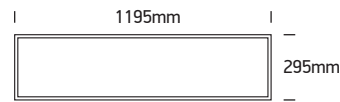
## 50140BR

ecopanel



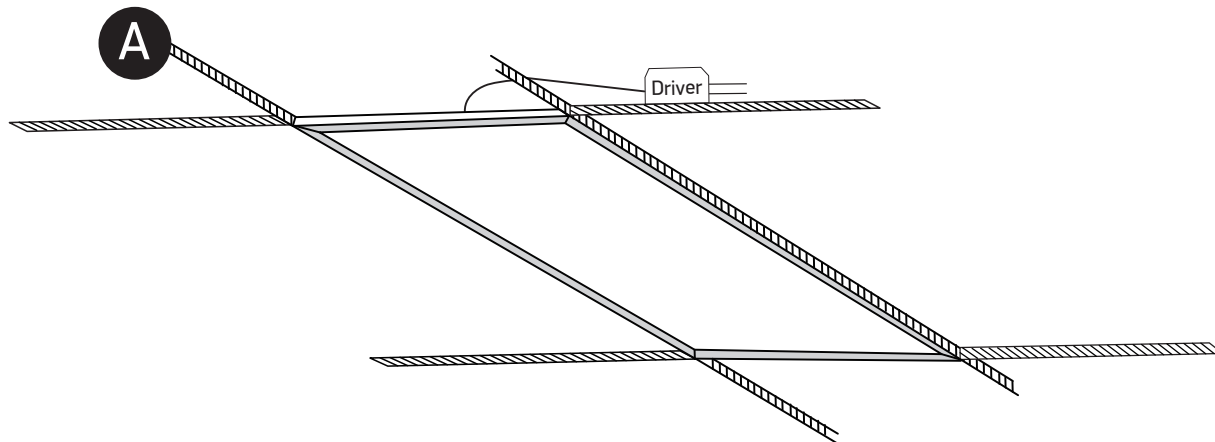
230V | SMD 2835 | 40W | IP20 | Aluminium + Steel

80  
CRI

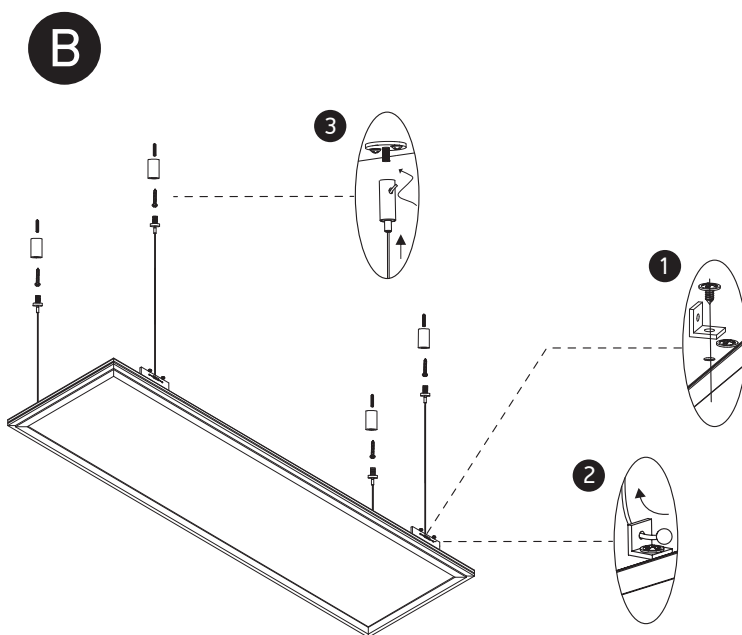


one  
LIGHT

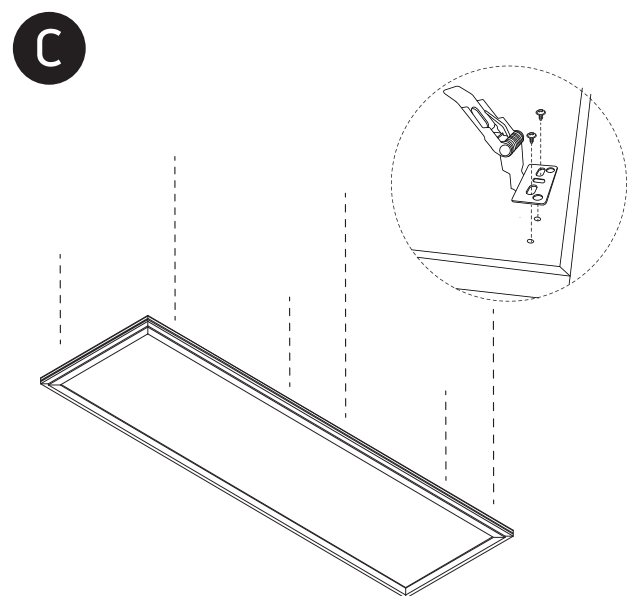
Complete with 1000mA driver. Optional suspension kit. Order code 050017. Optional clips for recessed installation. Order code 050108 (2 Sets).



Recessed fitting for 1200x300mm T-rail false ceilings



Ceiling mount suspended applications  
using optional kit 050017.



Recessed mount applications  
using optional kit 050108 (2 Sets).

### Warnings:

1. Make sure that the product is installed properly before connecting to electricity.
2. Do not cover the fitting.
3. Maintenance and installation should only be carried out by a professional electrician.