

INSTALLATION MANUAL

50116FA, 50122FA, 50130FA

LED
BUILT IN



80
CRI

CE

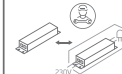
EAC

UK
CA

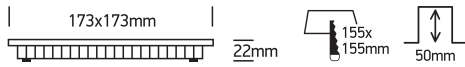
ROHS



Complete with driver.

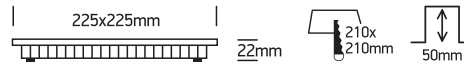


50116FA: 230V | SMD 2835 | 16W | IP20 | Die cast

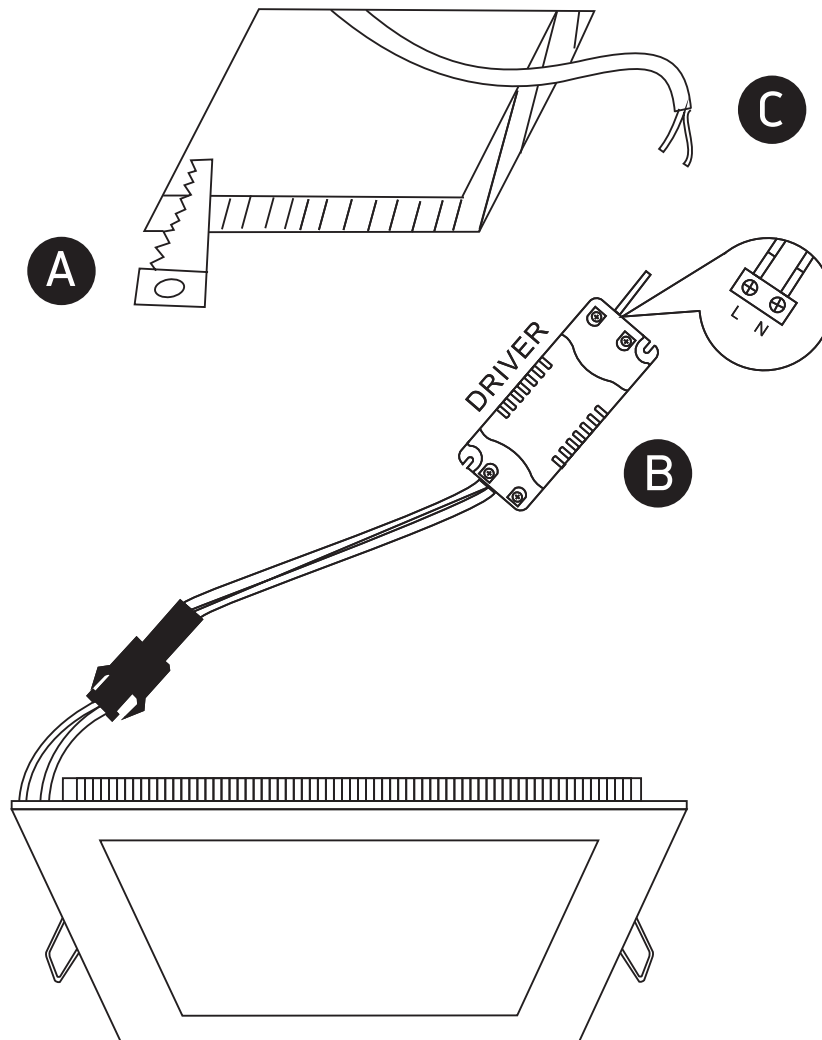
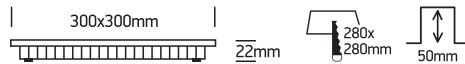


Optional dimmable driver code 89024UT.

50122FA: 230V | SMD 2835 | 22W | IP20 | Die cast



50130FA: 230V | SMD 2835 | 30W | IP20 | Die cast



Warnings:

1. Make sure that the product is installed properly before connecting to electricity.
2. Do not cover the fitting.
3. Maintenance and installation should only be carried out by a professional electrician.