

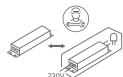
# INSTALLATION MANUAL

## 50120CE

**LED**  
BUILT IN



**80**  
CRI



70-180mm



50mm

200mm



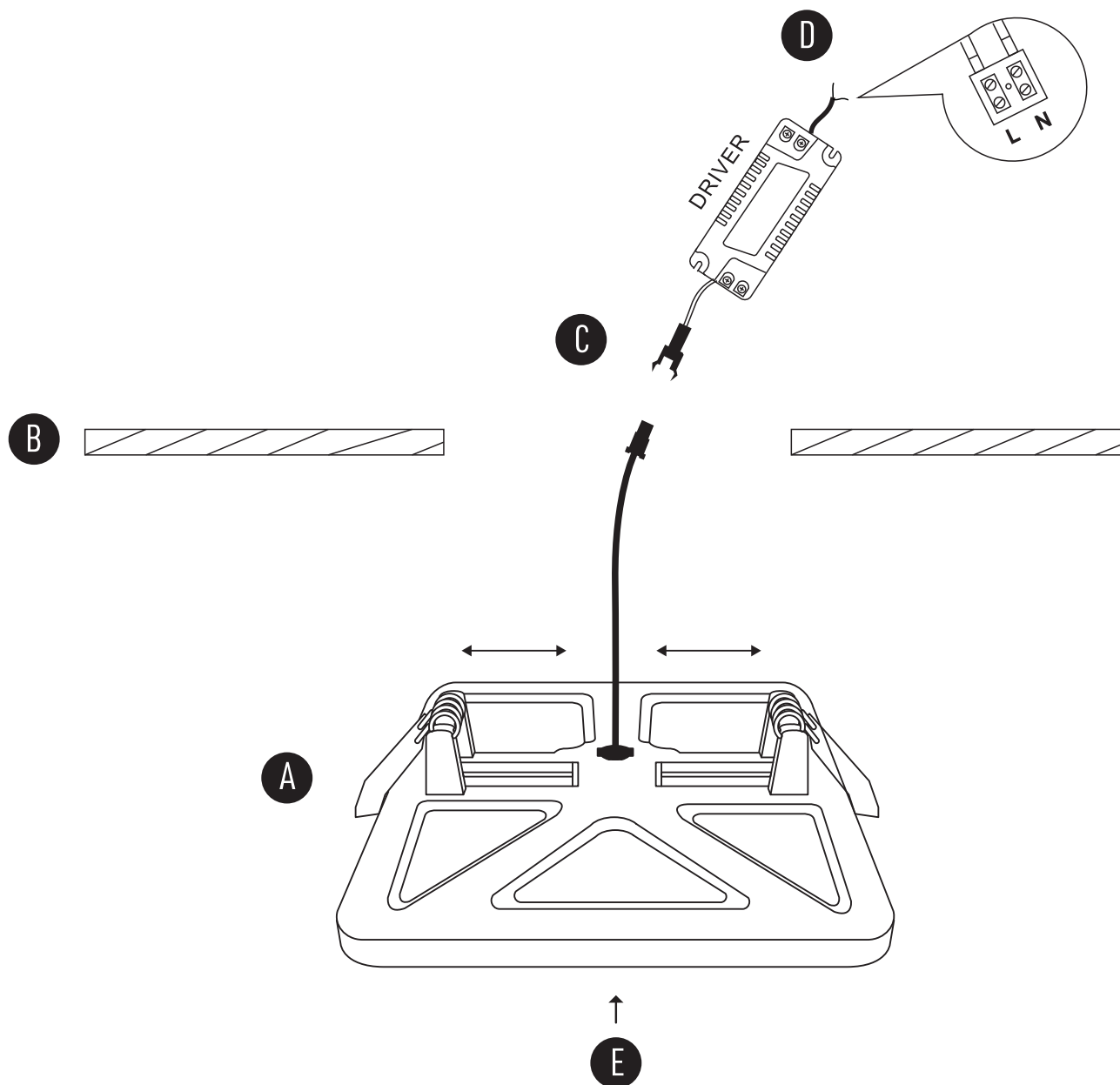
200mm

**one**  
LIGHT

230V | SMD 4014 | 20W | IP20 | Aluminium + PC  
Complete with 700mA driver.



10mm



### Warnings:

1. Make sure that the product is installed properly before connecting to electricity.
2. Do not cover the fitting.
3. Maintenance and installation should only be carried out by a professional electrician.