

INSTALLATION MANUAL

50110HTR

LED
BUILT IN



DARK LIGHT

90 CRI

CE EAC UK CA

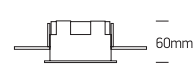
RoHS COMPLIANT



NOT DIMMABLE

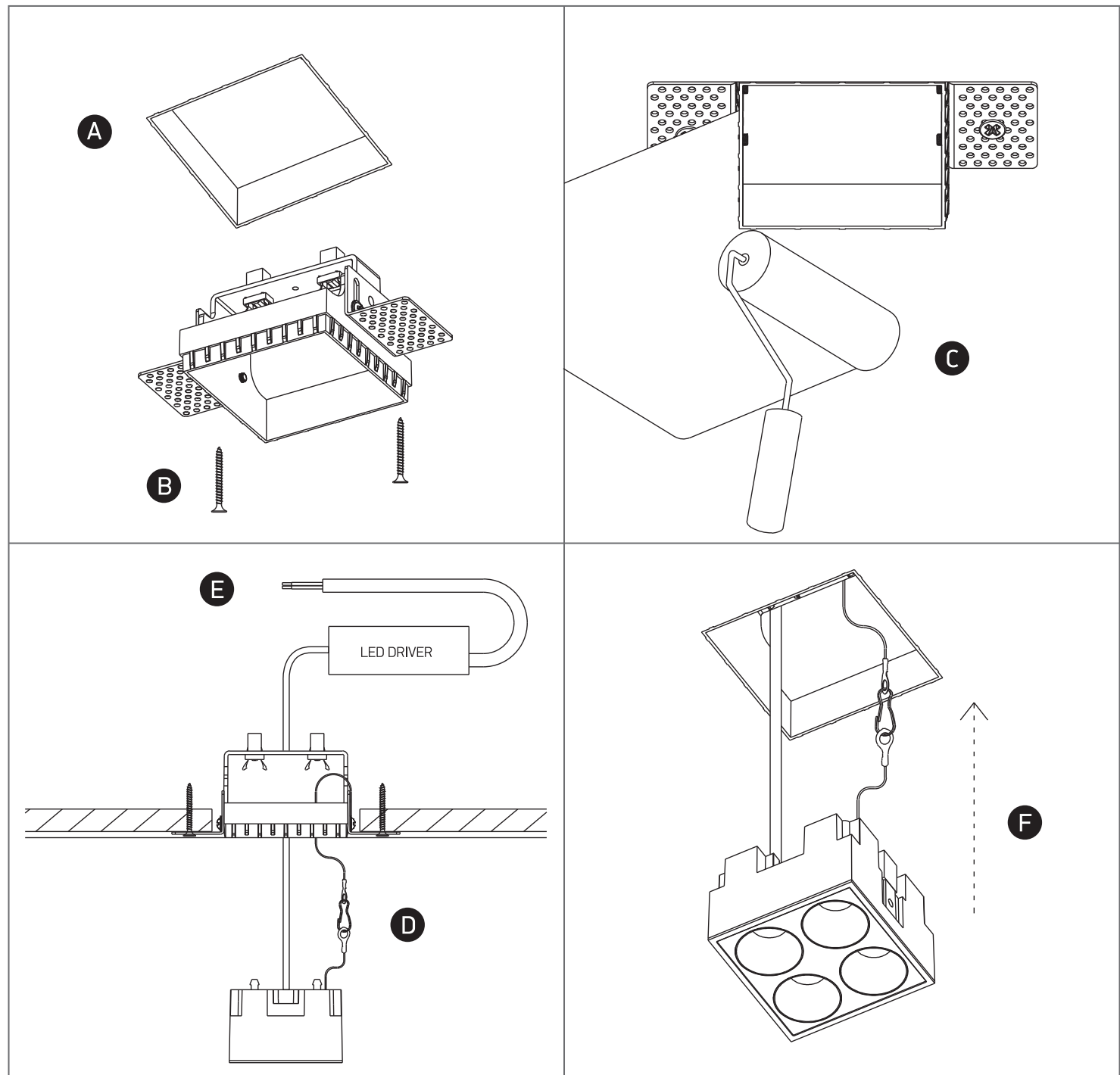


| 70x70mm |



one
LIGHT

230V | SMD 3535 | 10W | IP20 | Trimless | Aluminium
Complete with 700mA driver.



Warnings:

1. Make sure that the product is installed properly before connecting to electricity.
2. Do not cover the fitting.
3. Maintenance and installation should only be carried out by a professional electrician.