

INSTALLATION MANUAL

12122C

ecolight

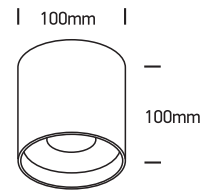


CE

RoHS



RECYCLABLE

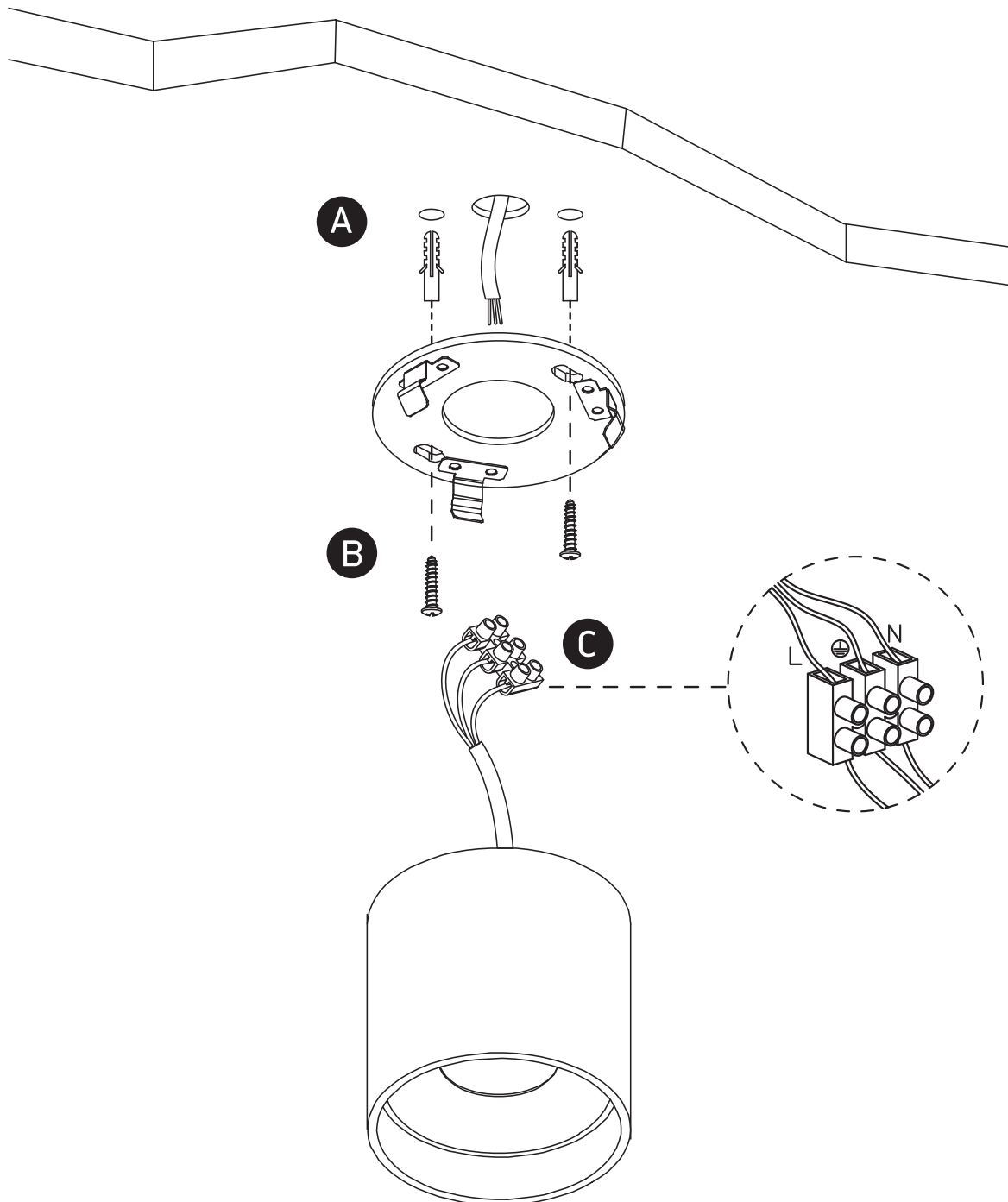


230V | 22W | IP20 | Die cast

Complete with 500mA driver.

90
CRI

one
LIGHT



Warnings:

1. Make sure that the product is installed properly before connecting to electricity.
2. Do not cover the fitting.
3. Maintenance and installation should only be carried out by a professional electrician.