

# INSTALLATION MANUAL

## 50106B

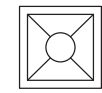
**ecolight**



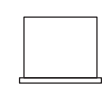
90  
CRI



54mm

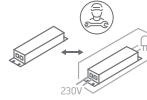
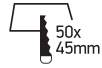


54mm

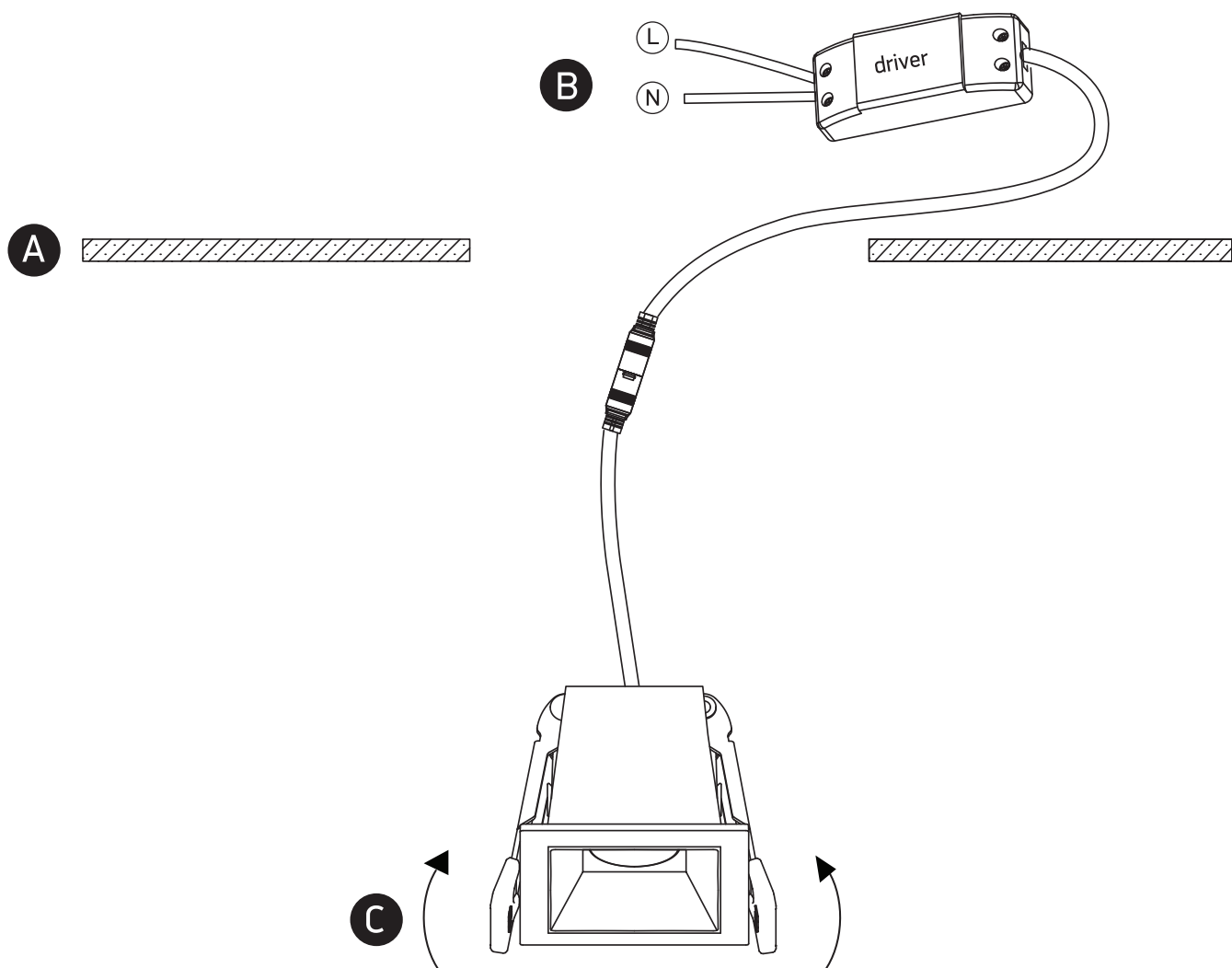


47mm

230V | COB LED | 6W | IP20 | Die cast  
Complete with 135mA driver.



**one**  
LIGHT



### Warnings:

1. Make sure that the product is installed properly before connecting to electricity.
2. Do not cover the fitting.
3. Maintenance and installation should only be carried out by a professional electrician.