

# INSTALLATION MANUAL

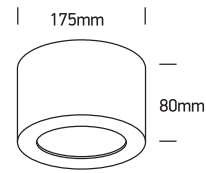
12116FD

**ecolight**



**DARK  
LIGHT**

**CE** **RoHS  
COMPLIANT**

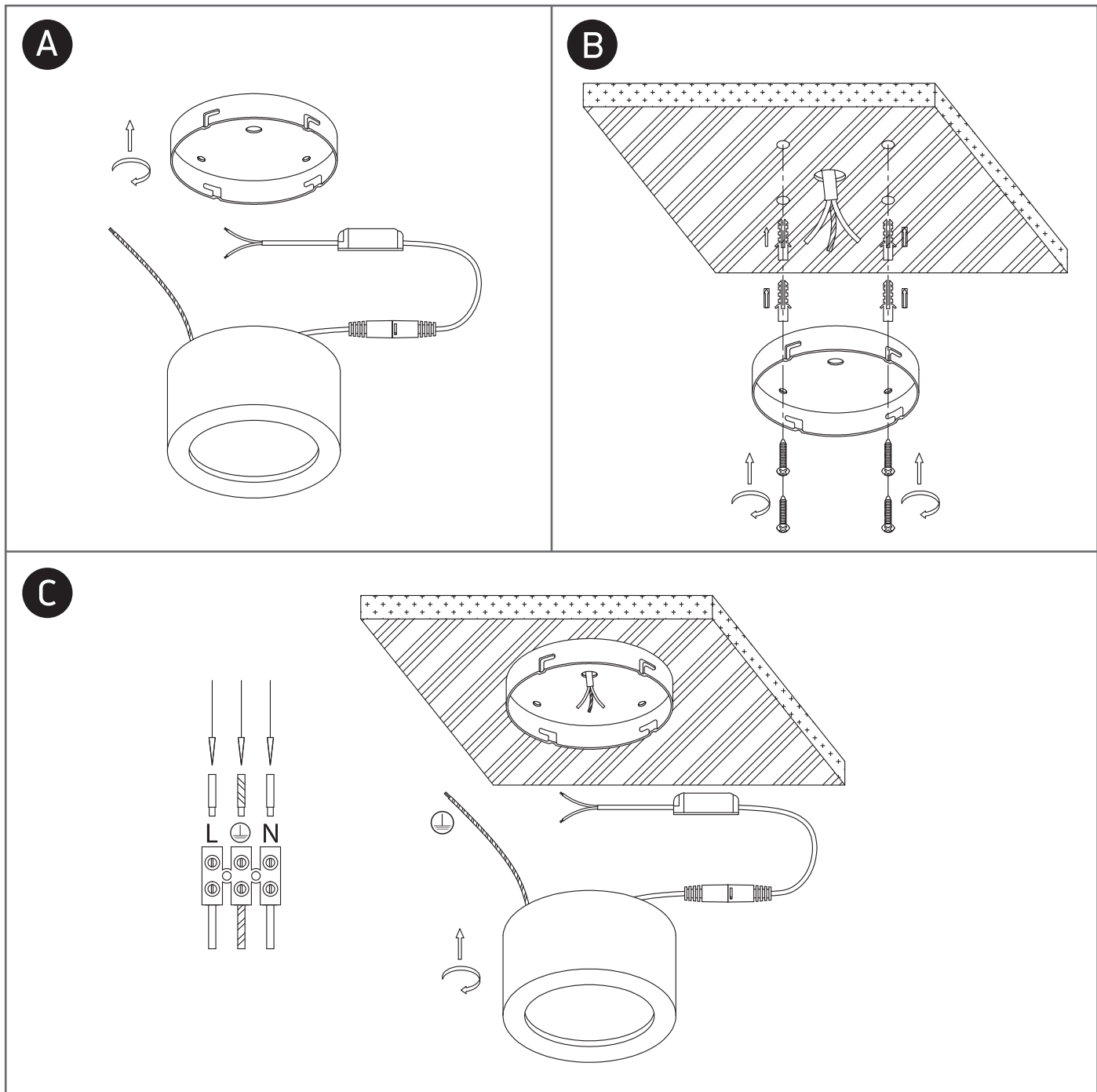


**one**  
LIGHT

230V | SMD 2835 | 16W | IP20 | Die cast

Complete with driver.

**80  
CRI**



## Warnings:

1. Make sure that the product is installed properly before connecting to electricity.
2. Do not cover the fitting.
3. Maintenance and installation should only be carried out by a professional electrician.