

# INSTALLATION MANUAL

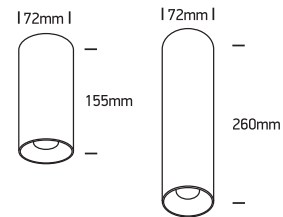
## 12115D, 12124D

**ecolight**



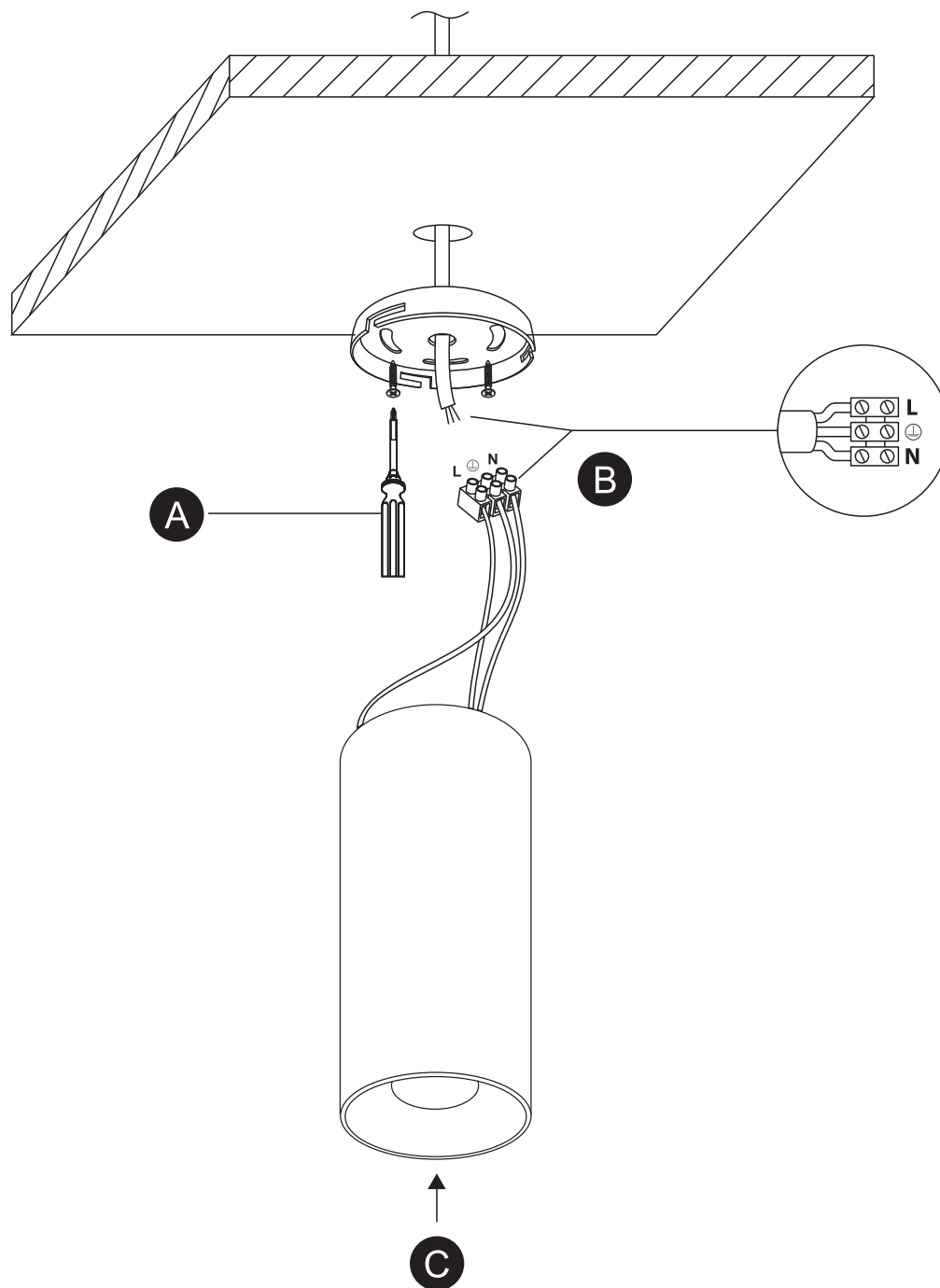
CE

RoHS



230V | 15W / 24W | IP20 | Aluminium + plastic reflector  
Complete with driver.

80  
CRI



### Warnings:

1. Make sure that the product is installed properly before connecting to electricity.
2. Do not cover the fitting.
3. Maintenance and installation should only be carried out by a professional electrician.