

# INSTALLATION MANUAL

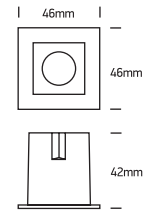
## 50103H

**LED**  
BUILT IN

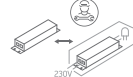


**DARK LIGHT**

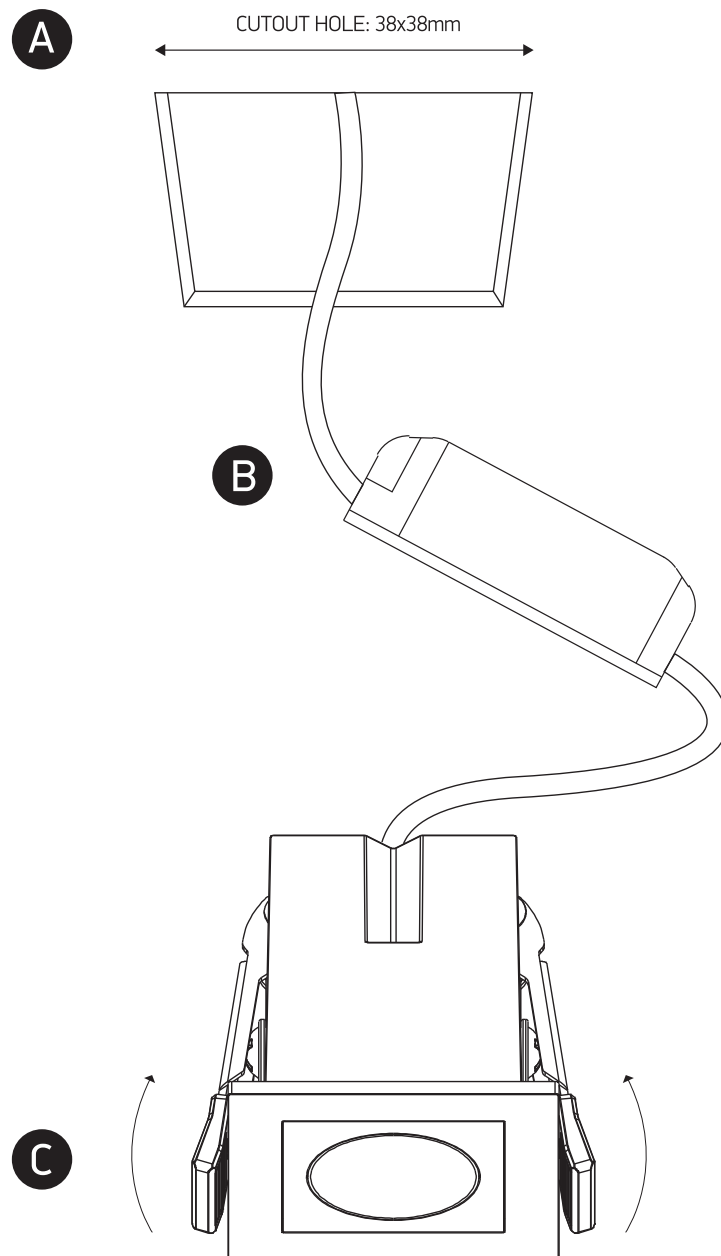
**90 CRI**



230V | SMD 3535 | 3W | IP20 | Aluminium  
Complete with 700mA driver.



**one**  
LIGHT



### Warnings:

1. Make sure that the product is installed properly before connecting to electricity.
2. Do not cover the fitting.
3. Maintenance and installation should only be carried out by a professional electrician.