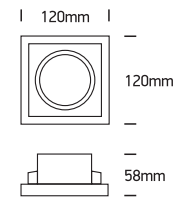


INSTALLATION MANUAL

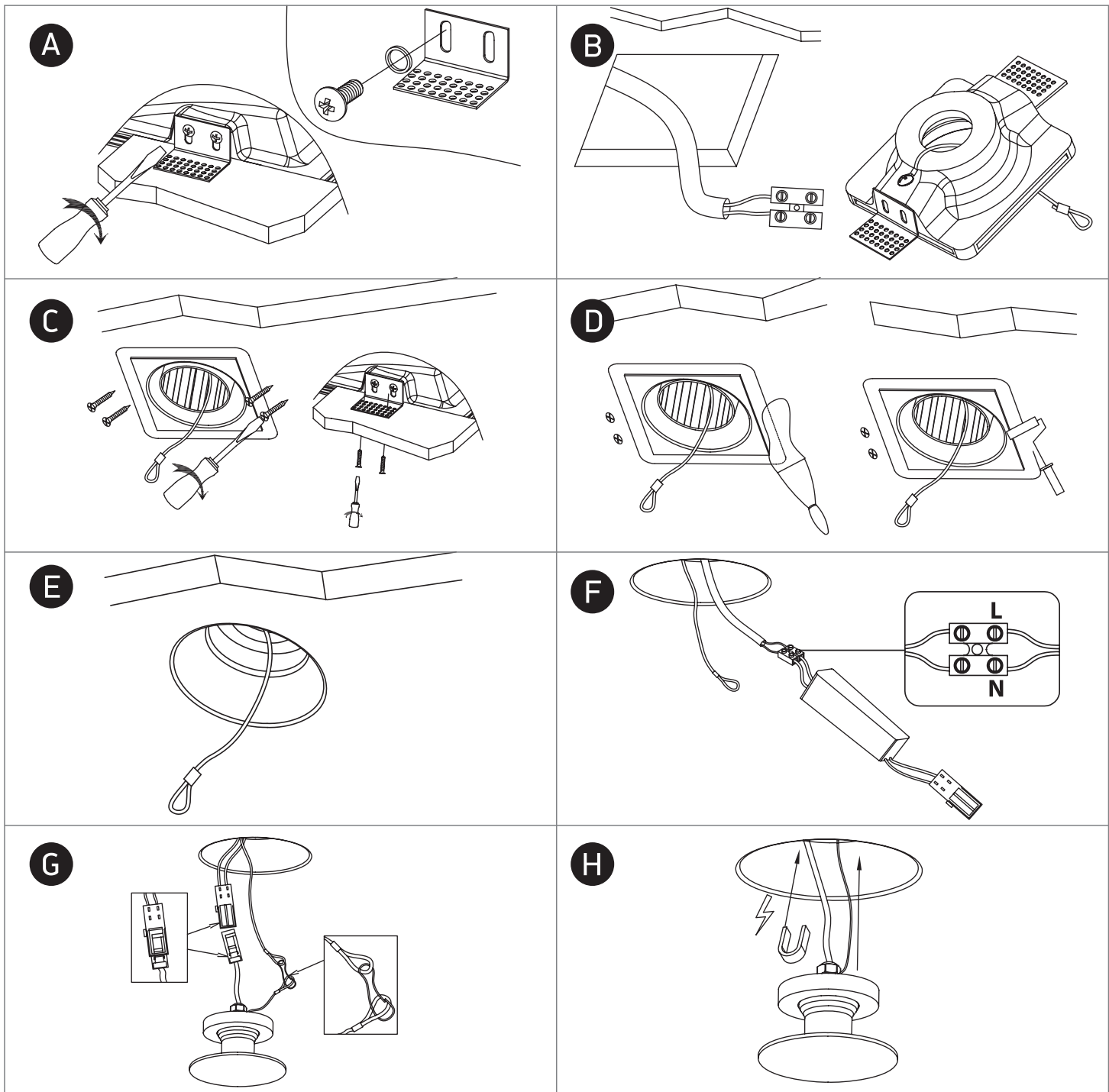
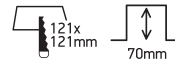
50103GT4

ecolight

Ra>80 DARK LIGHT
CE
RoHS


100-240V | SMD LED | 2,5W | IP44 | Gypsum

Complete with driver.



Warnings:

1. Make sure that the product is installed properly before connecting to electricity.
2. Do not cover the fitting.
3. Maintenance and installation should only be carried out by a professional electrician.