

INSTALLATION MANUAL

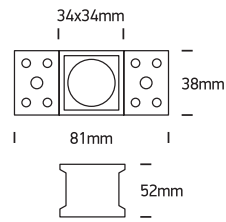
50103ATR

ecolight

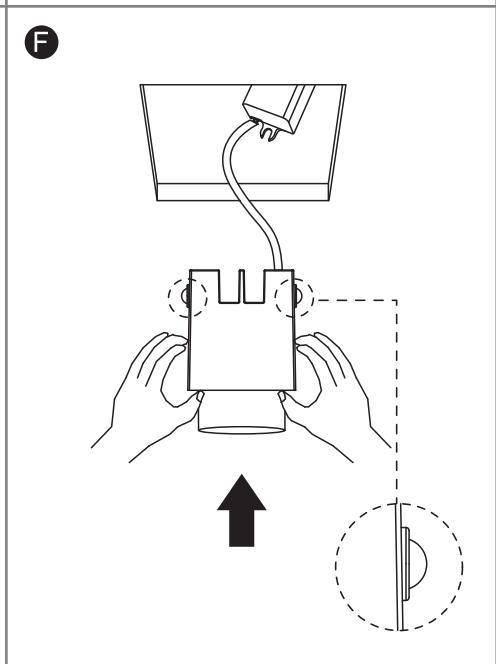
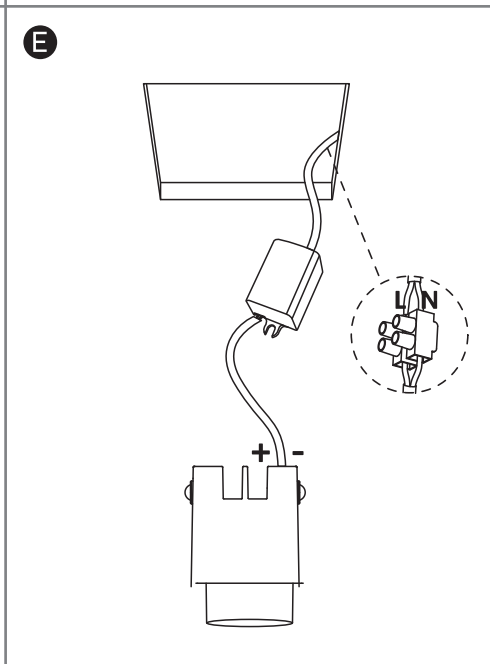
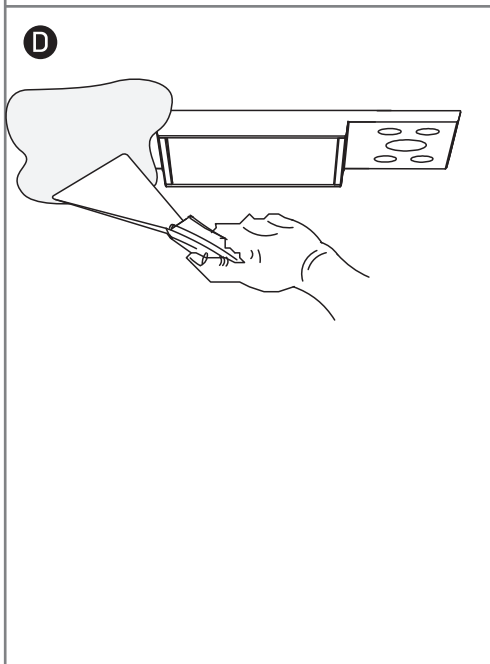
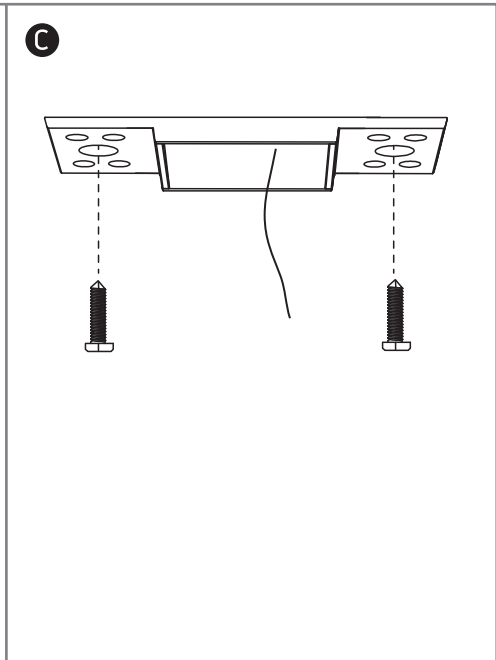
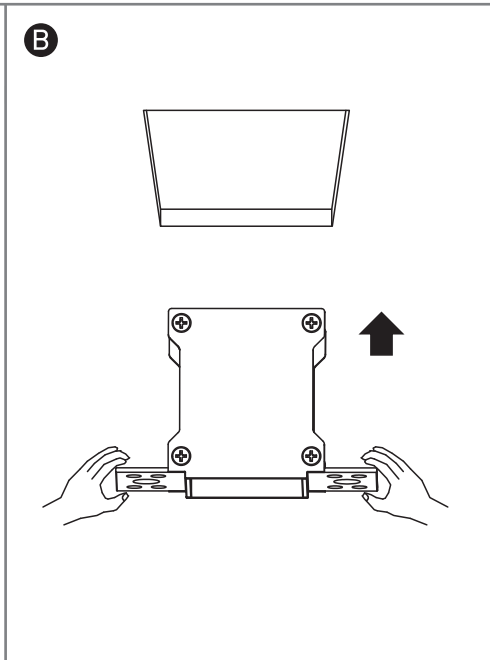
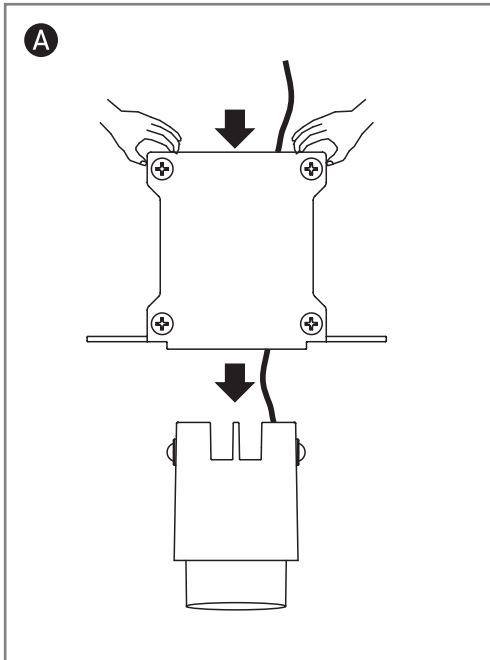
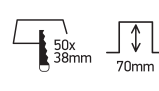
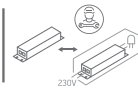


DARK LIGHT

85 CRI



230V | SMD 3535 | 3W | IP20 | Trimless | Die cast
Complete with 700mA driver.



Warnings:

1. Make sure that the product is installed properly before connecting to electricity.
2. Do not cover the fitting.
3. Maintenance and installation should only be carried out by a professional electrician.