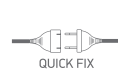


# INSTALLATION MANUAL

50102B

**ecolight**



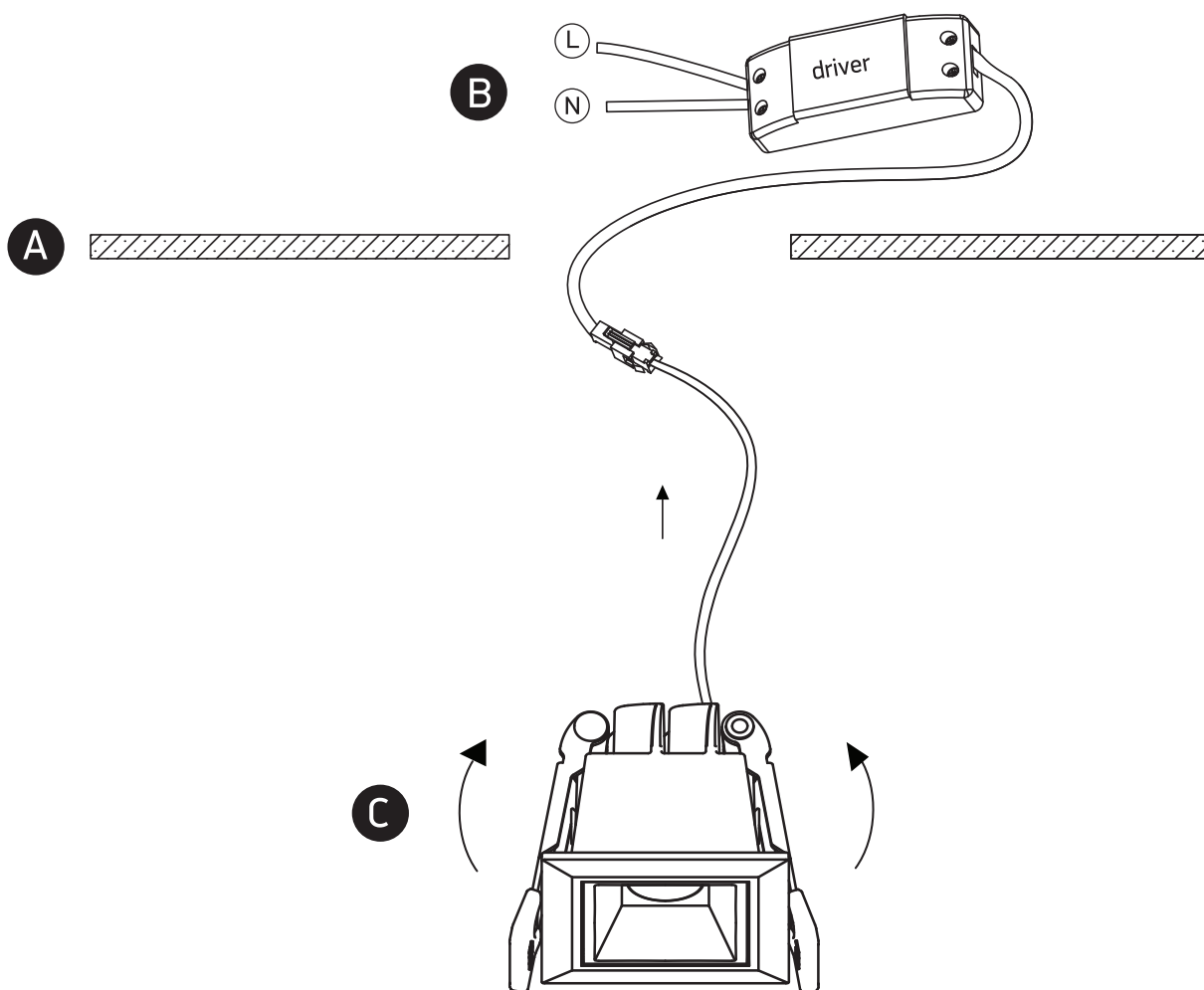
80  
CRI



700mA | LED | 2W | IP20 | Die cast  
Use 89004A driver.



**one**  
LIGHT



## Warnings:

1. Make sure that the product is installed properly before connecting to electricity.
2. Do not cover the fitting.
3. Maintenance and installation should only be carried out by a professional electrician.