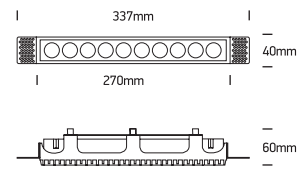


INSTALLATION MANUAL

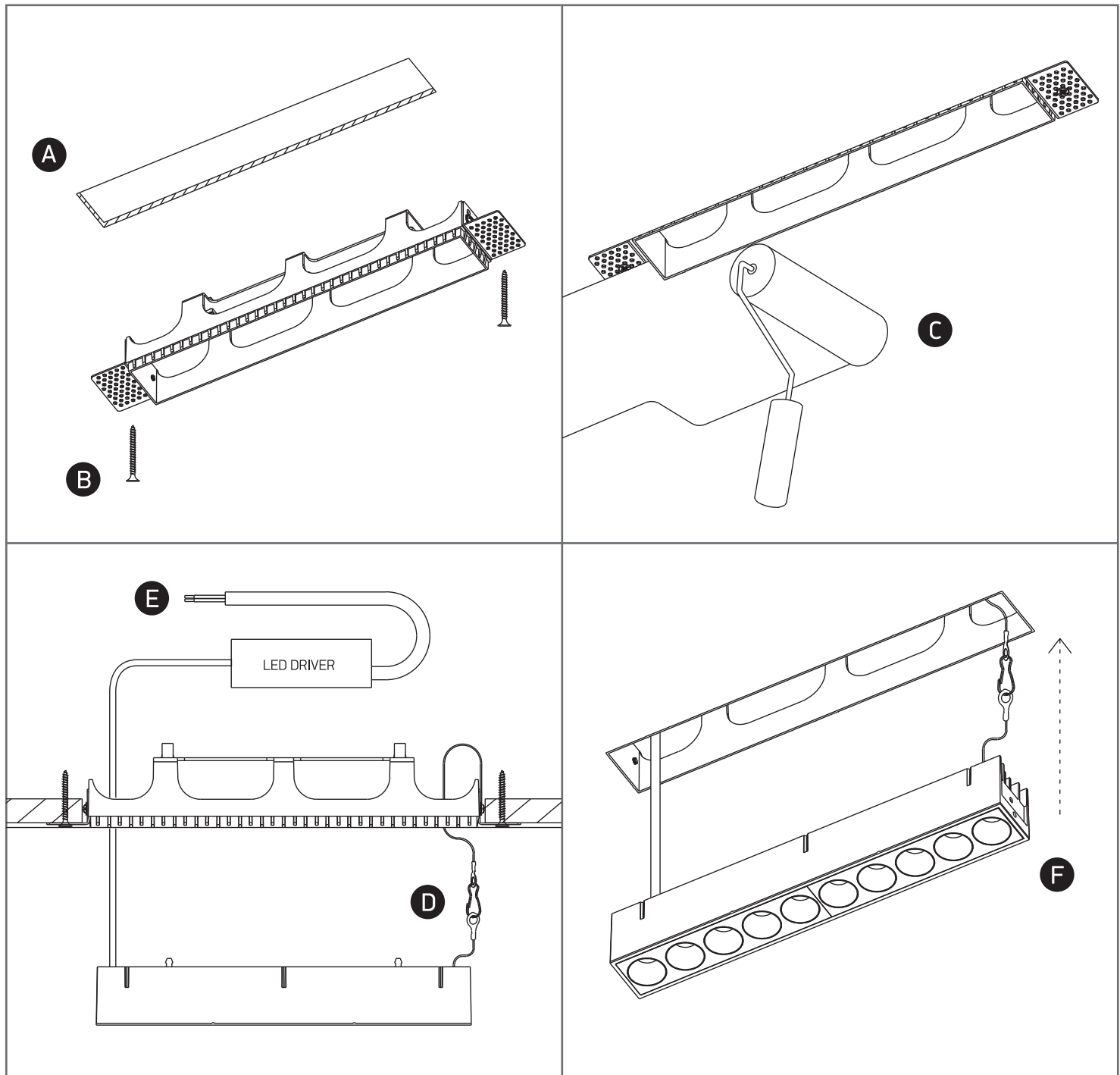
50024HTR

LED BUILT IN | DARK LIGHT | 90 CRI | CE ENEC UK CA | RoHS COMPLIANT | RECYCLABLE | 100% DIMMABLE

230V | SMD 3535 | 24W | IP20 | Trimless | Aluminium
Complete with 700mA driver.



one
LIGHT



Warnings:

1. Make sure that the product is installed properly before connecting to electricity.
2. Do not cover the fitting.
3. Maintenance and installation should only be carried out by a professional electrician.