

# INSTALLATION MANUAL

38151A

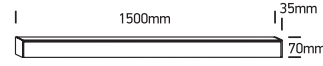
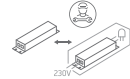
**ecolight**


UGR19

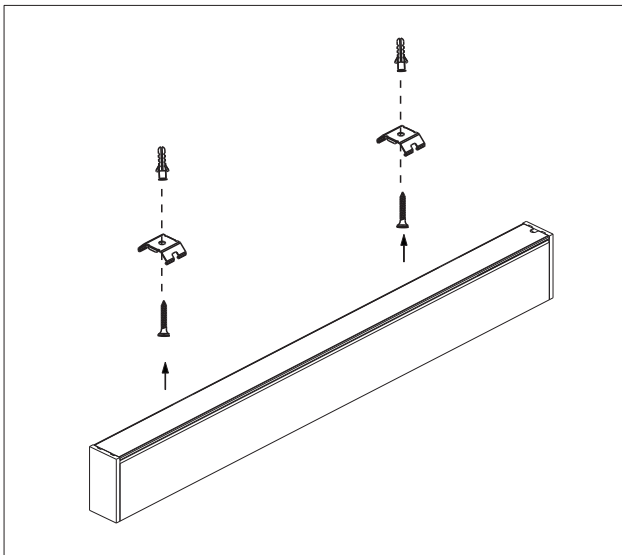
90 CRI



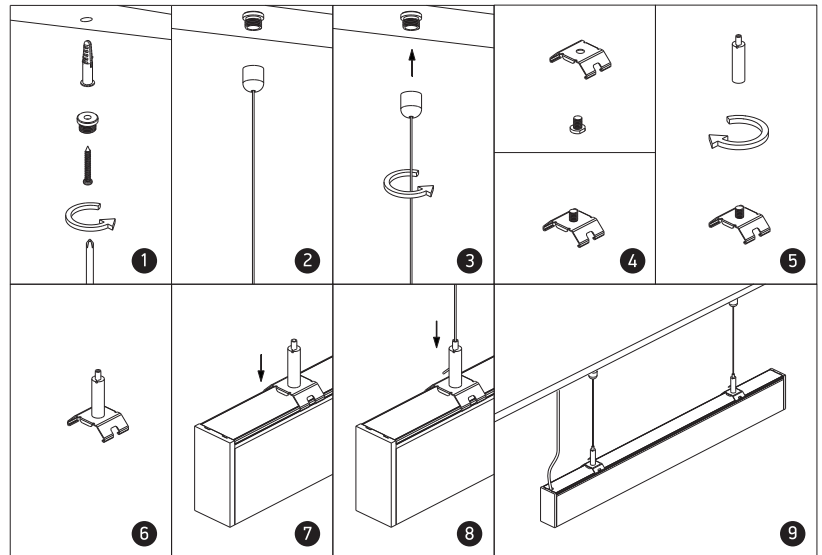
230V | SMD 2835 | 50W | IP20 | Diffuser | Aluminium  
 Complete with 1500mA driver / Can be connected in line.


**one**  
 LIGHT

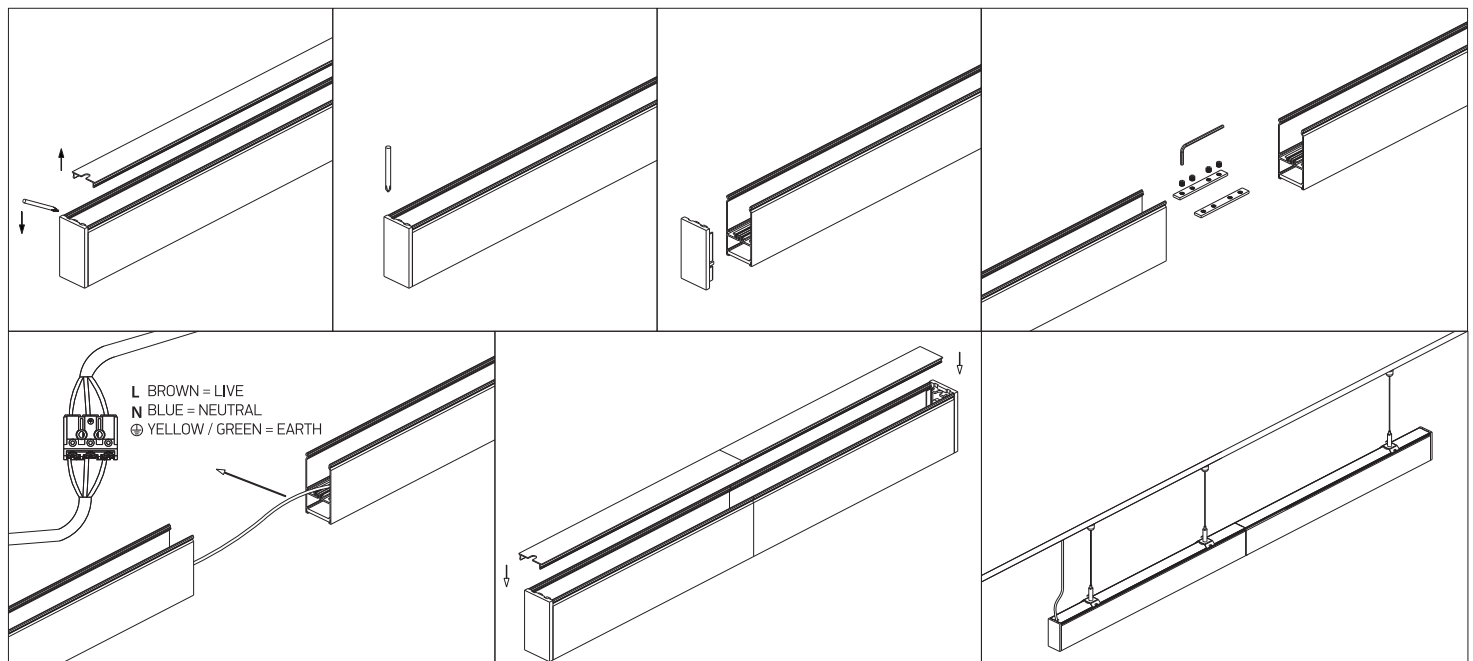
## A SURFACE INSTALLATION



## B SUSPENDED INSTALLATION



## C CONNECTION



### Warnings:

1. Make sure that the product is installed properly before connecting to electricity.
2. Do not cover the fitting.
3. Maintenance and installation should only be carried out by a professional electrician.