

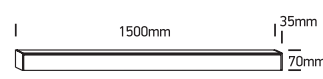
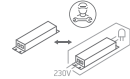
INSTALLATION MANUAL

38151A

ecolight


UGR19

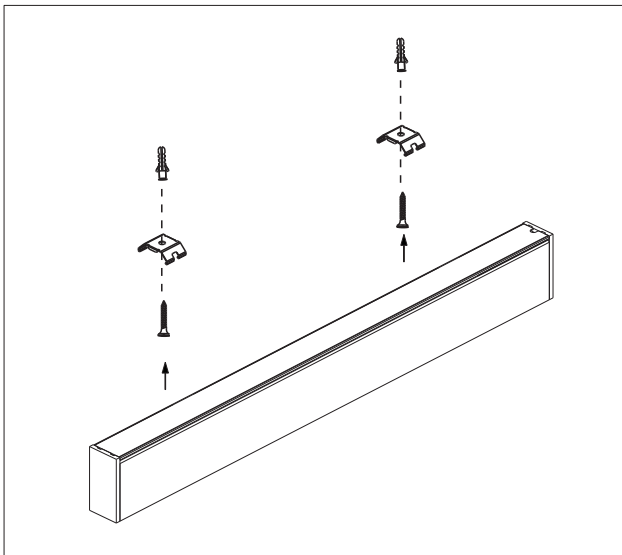
90 CRI


 230V | SMD 2835 | 50W | IP20 | Diffuser | Aluminium
 Complete with 1500mA driver / Can be connected in line.


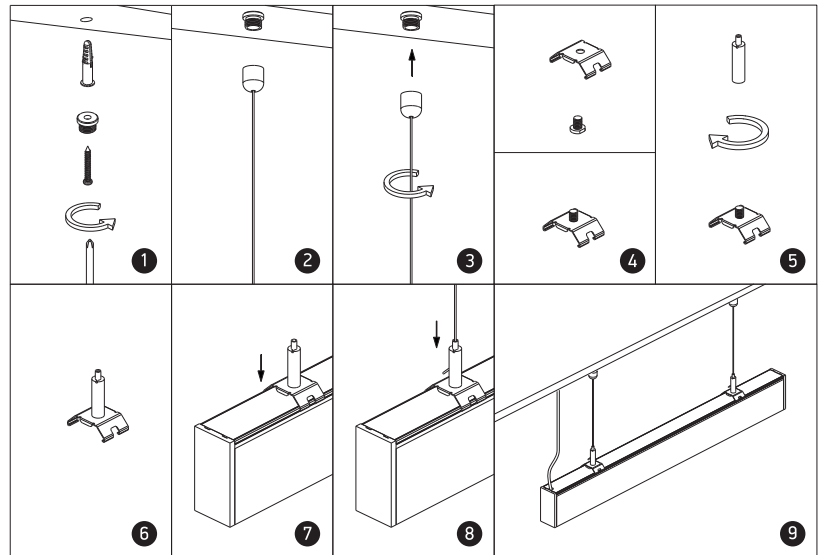
one

 LIGHT

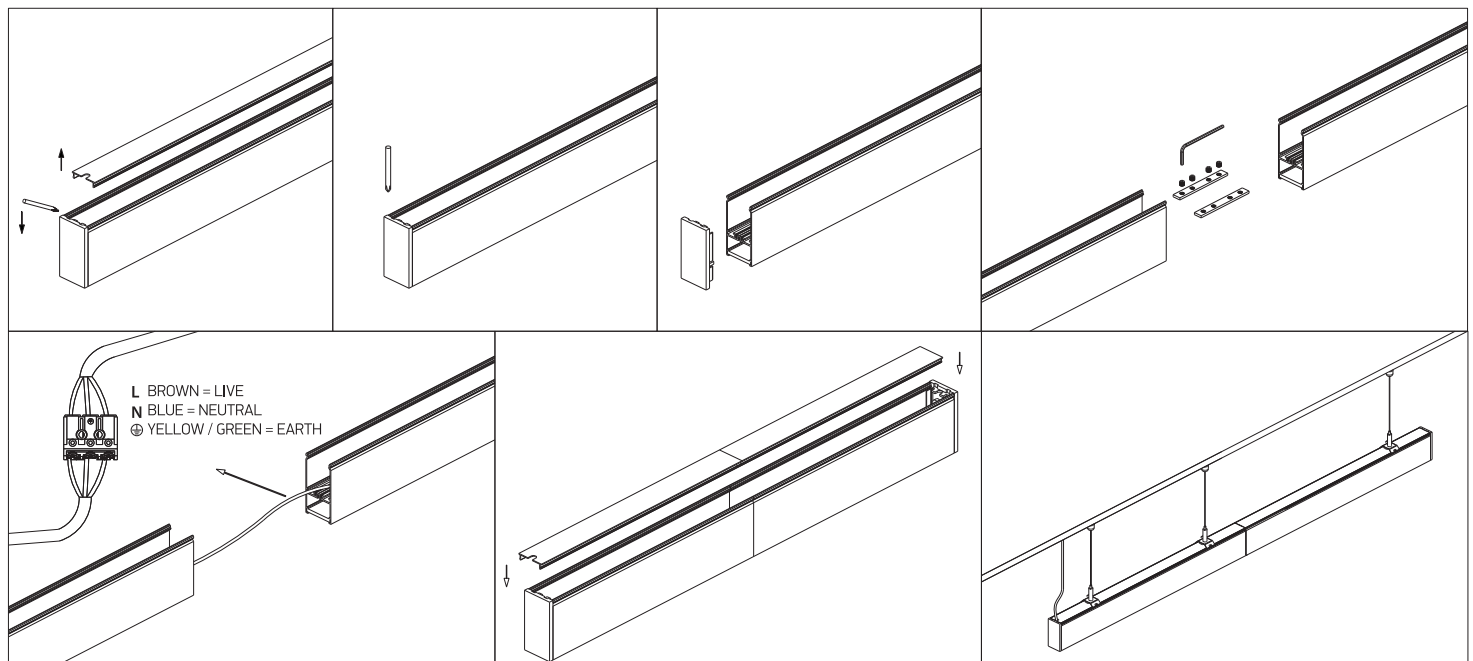
A SURFACE INSTALLATION



B SUSPENDED INSTALLATION



C CONNECTION



Warnings:

1. Make sure that the product is installed properly before connecting to electricity.
2. Do not cover the fitting.
3. Maintenance and installation should only be carried out by a professional electrician.