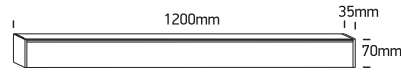
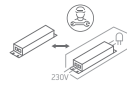


INSTALLATION MANUAL

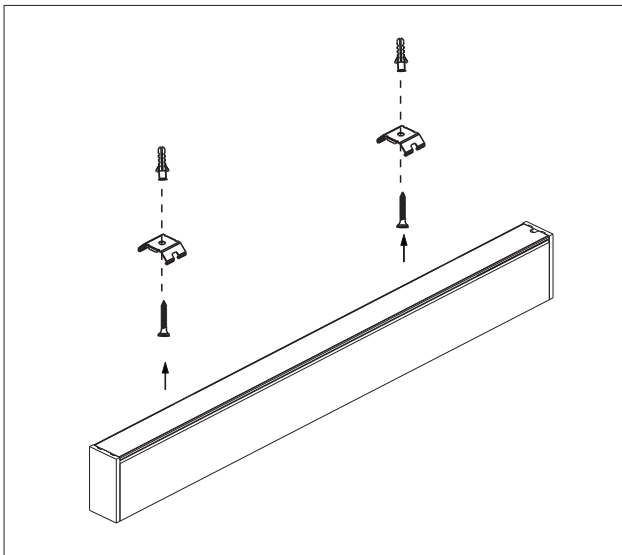
38150C

ecolight

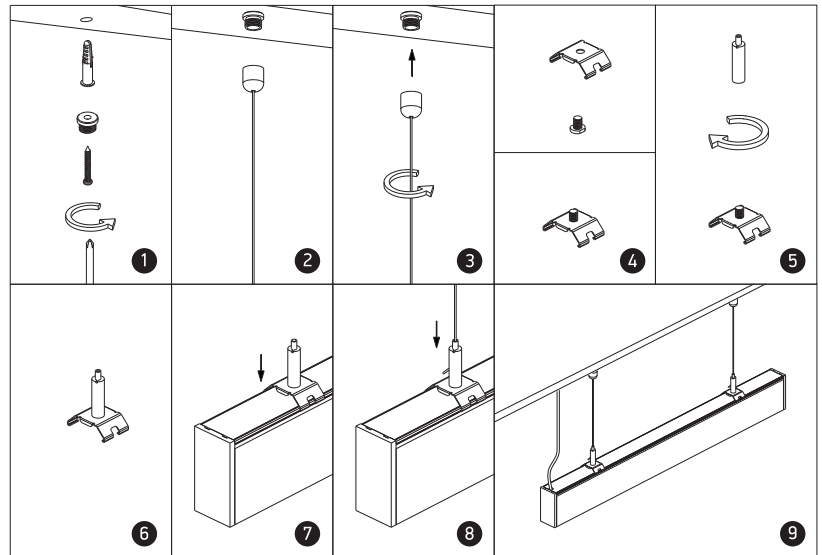
UGR19

90
CRI40W | 24LEDs + Diffuser | 230V | IP20 | Aluminium
Complete with 1000mA driver.**one**
LIGHT

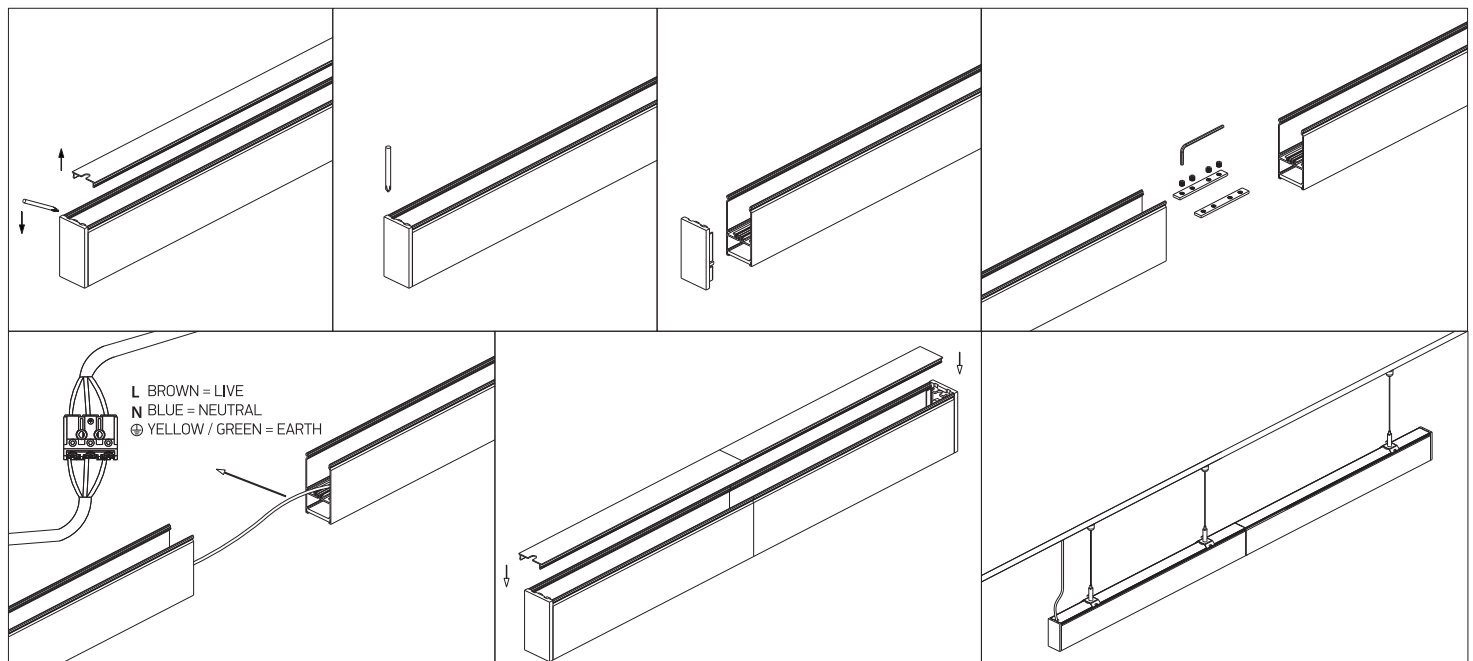
A SURFACE INSTALLATION



B SUSPENDED INSTALLATION



C CONNECTION



L BROWN = LIVE
N BLUE = NEUTRAL
⊕ YELLOW / GREEN = EARTH

Warnings:

1. Make sure that the product is installed properly before connecting to electricity.
2. Do not cover the fitting.
3. Maintenance and installation should only be carried out by a professional electrician.