

INSTALLATION MANUAL

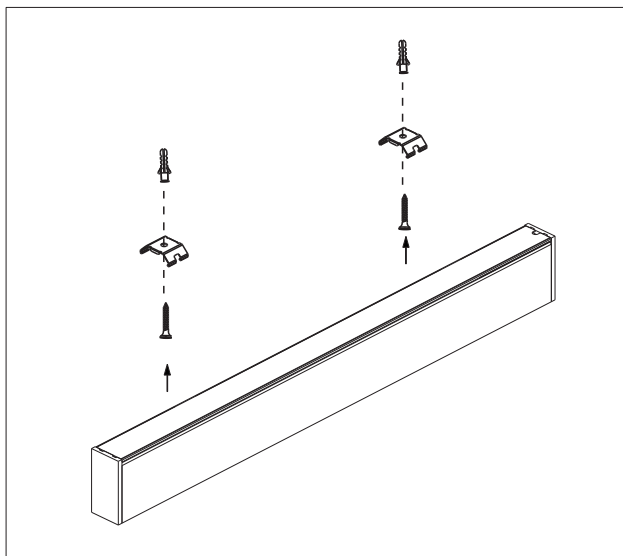
38150A



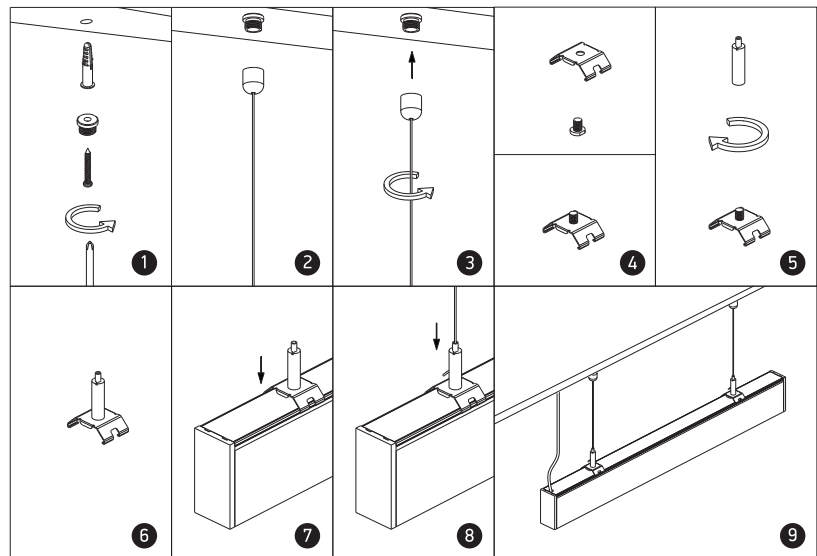
40W | LED | 230V | IP20 | Aluminium
Complete with 1000mA driver.



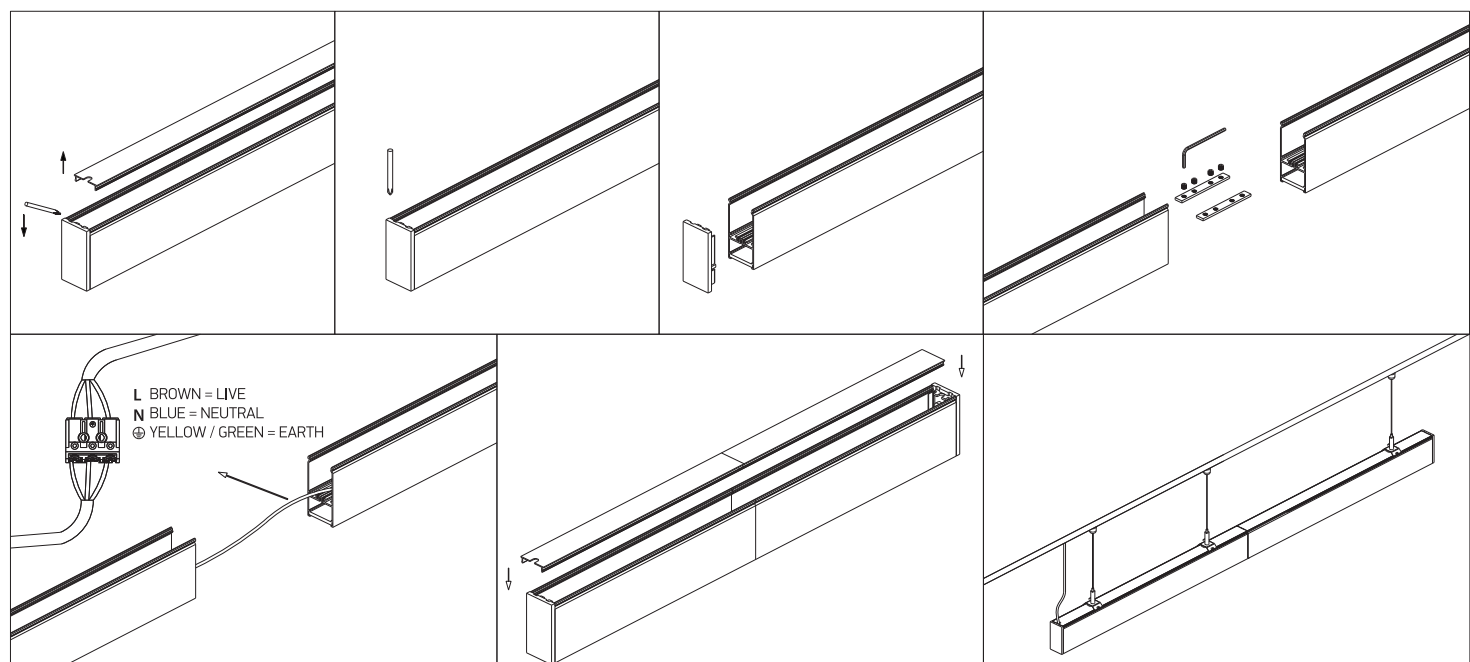
A SURFACE INSTALLATION



B SUSPENDED INSTALLATION



C CONNECTION



Warnings:

1. Make sure that the product is installed properly before connecting to electricity.
2. Do not cover the fitting.
3. Maintenance and installation should only be carried out by a professional electrician.