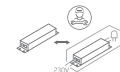


# INSTALLATION MANUAL

## 38118N

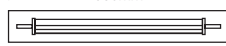
**ecolight**



230V | SMD 2835 | 18W | IP44 | Aluminium + glass

80  
CRI

580mm

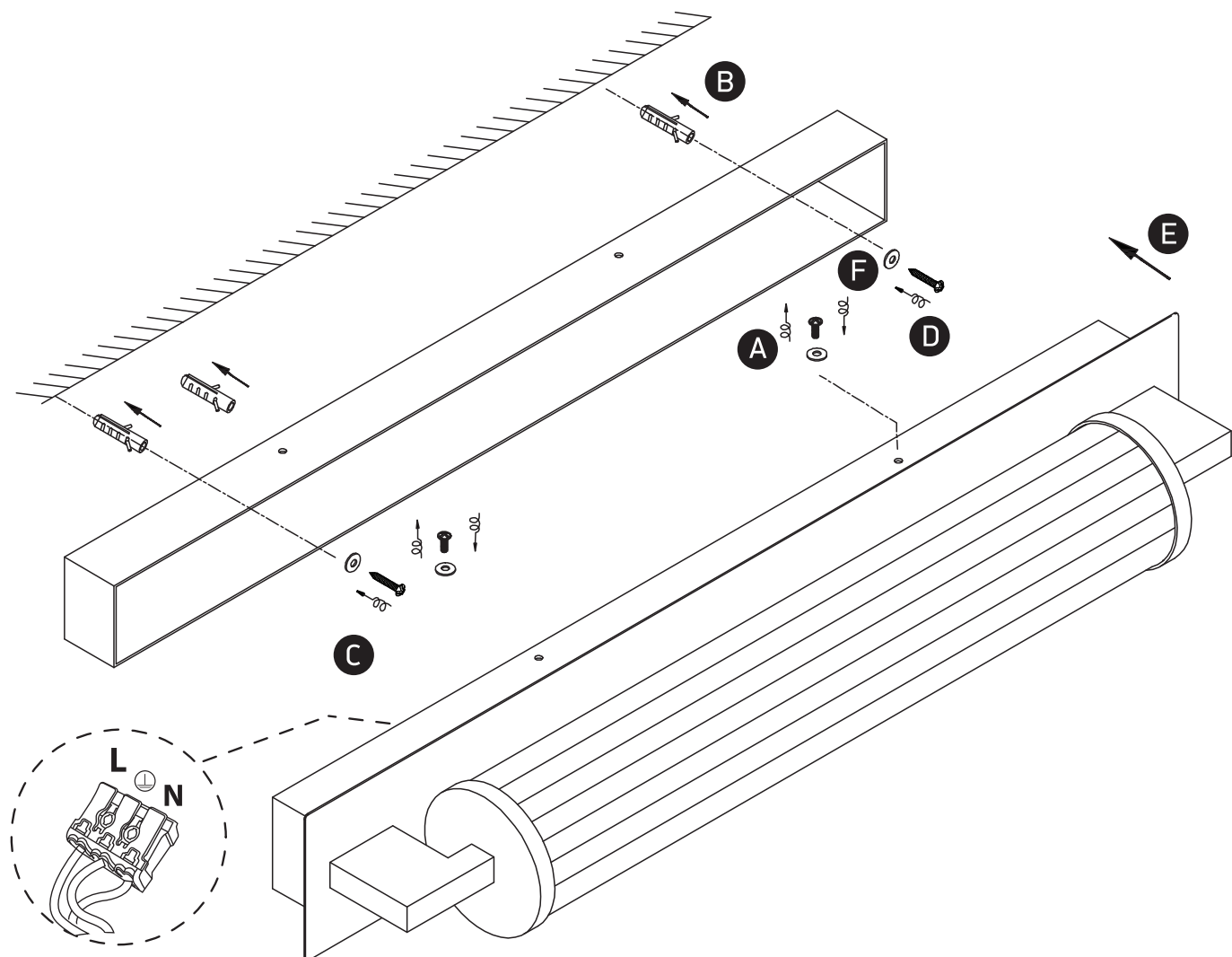


105mm



115mm

Complete with 500mA driver.



### Warnings:

1. Make sure that the product is installed properly before connecting to electricity.
2. Do not cover the fitting.
3. Maintenance and installation should only be carried out by a professional electrician.