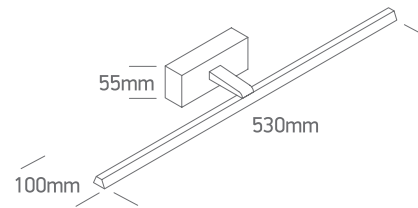


# INSTALLATION MANUAL

## 38114T



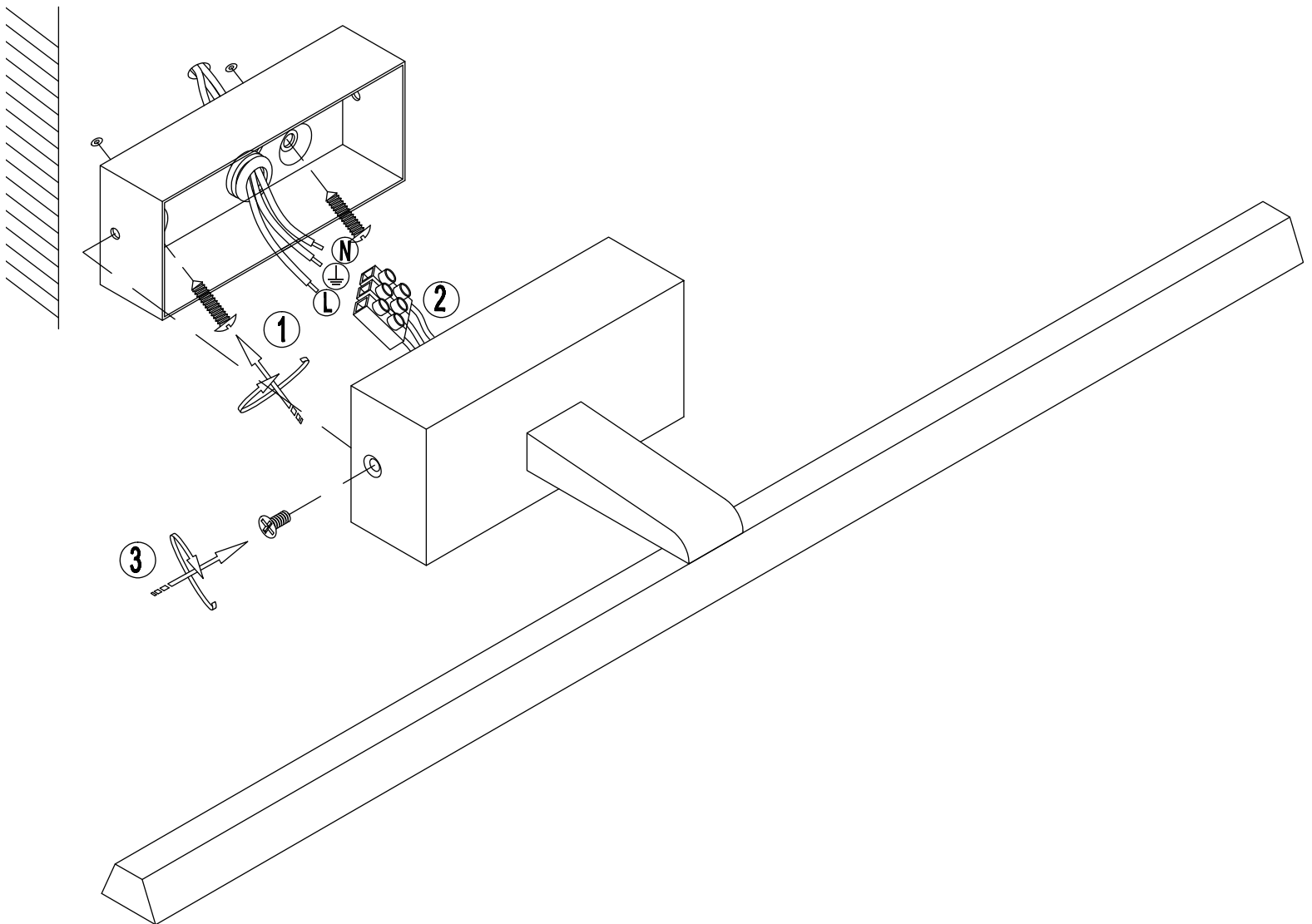
230V | 14W | SMD 2835 | IP44 | Aluminium + acrylic



**one**  
LIGHT



Complete with driver 300mA.



### Warnings:

1. Make sure that the product is installed properly before connecting to electricity.
2. Do not cover the fitting.
3. Maintenance and installation should only be carried out by a professional electrician.