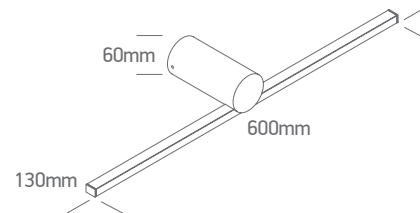


# INSTALLATION MANUAL

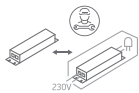
## 38114N



230V | 14W | SMD 2835 | IP44 | Aluminium + PC

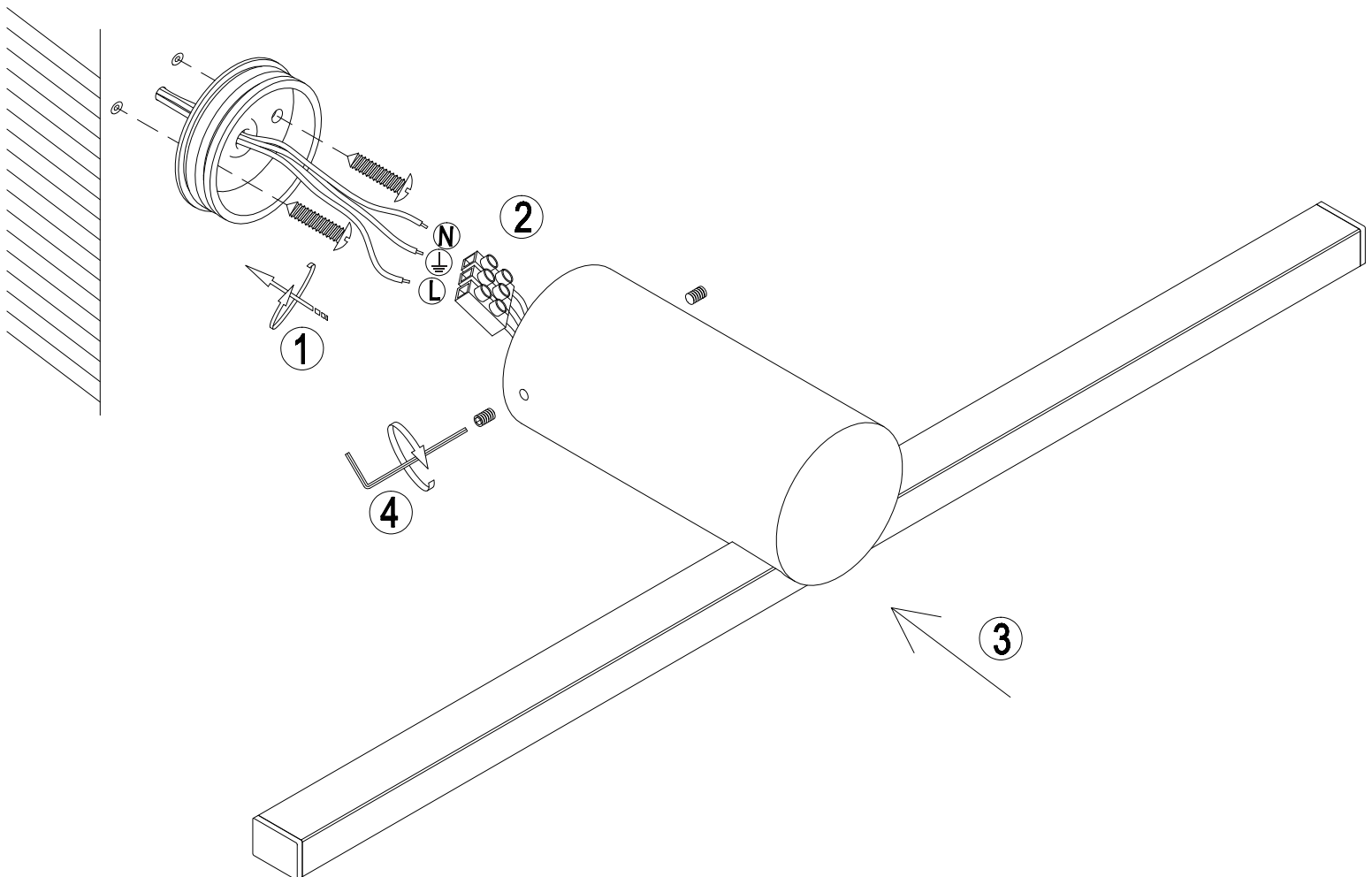


**one**  
LIGHT



L70B50  
36000 Hrs

Complete with driver 300mA.



### Warnings:

1. Make sure that the product is installed properly before connecting to electricity.
2. Do not cover the fitting.
3. Maintenance and installation should only be carried out by a professional electrician.