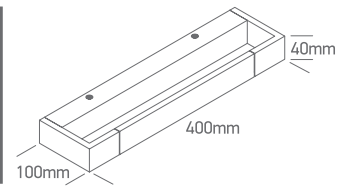


INSTALLATION MANUAL

38112C

LED BUILT IN |  |  |  |  | **80 CRI** |       

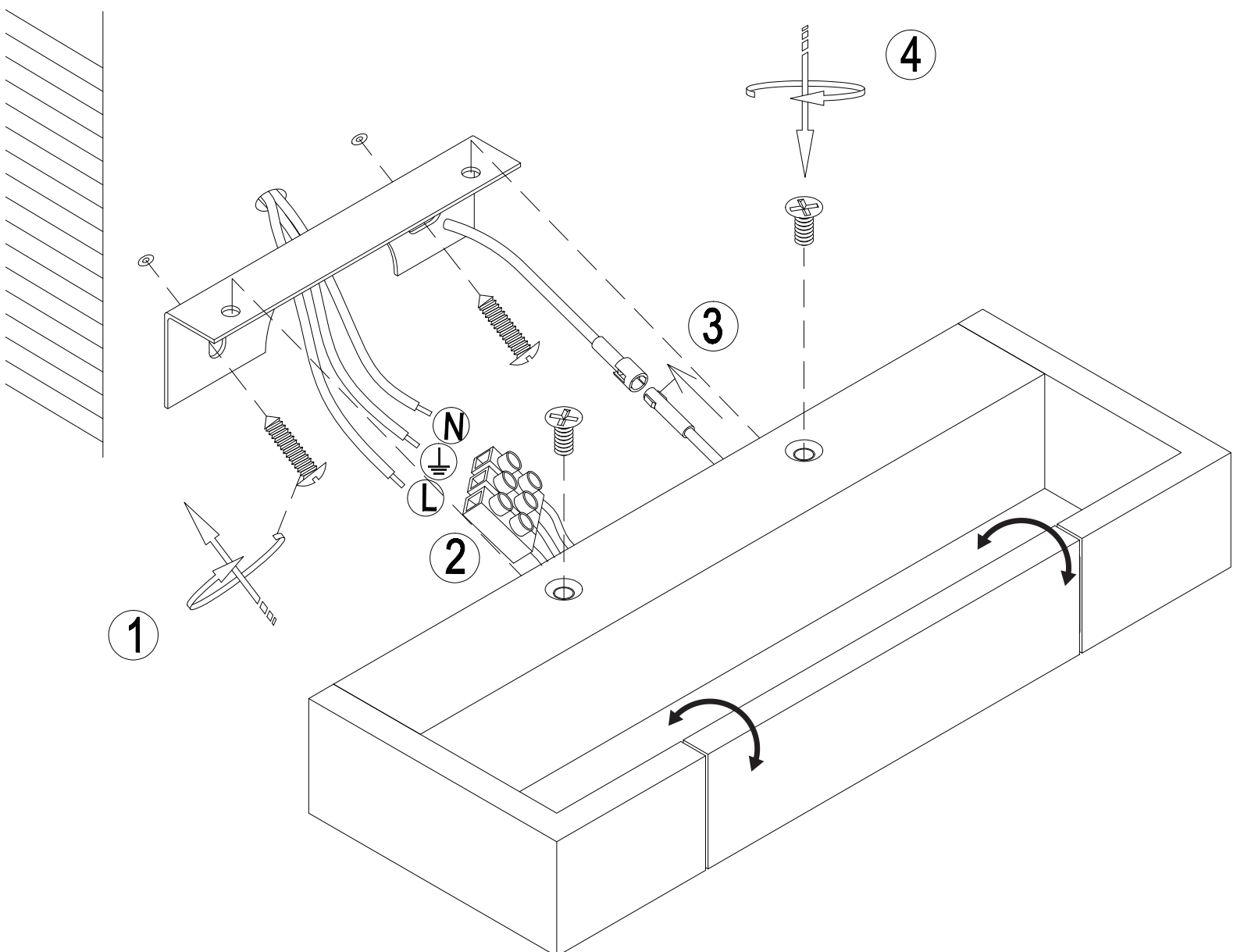
230V | 12W | SMD 2835 | IP44 | Aluminium + acrylic



one
LIGHT

 |  | **L70B50**
36000 Hrs

Complete with driver 600mA.



Warnings:

1. Make sure that the product is installed properly before connecting to electricity.
2. Do not cover the fitting.
3. Maintenance and installation should only be carried out by a professional electrician.