

# INSTALLATION MANUAL

## 38112C

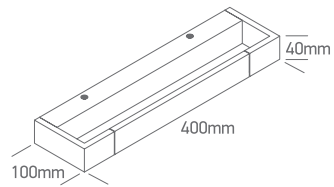
LED  
BUILT IN



ADJUSTABLE

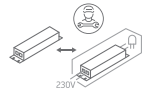
80  
CRI

CE EAC UK CA



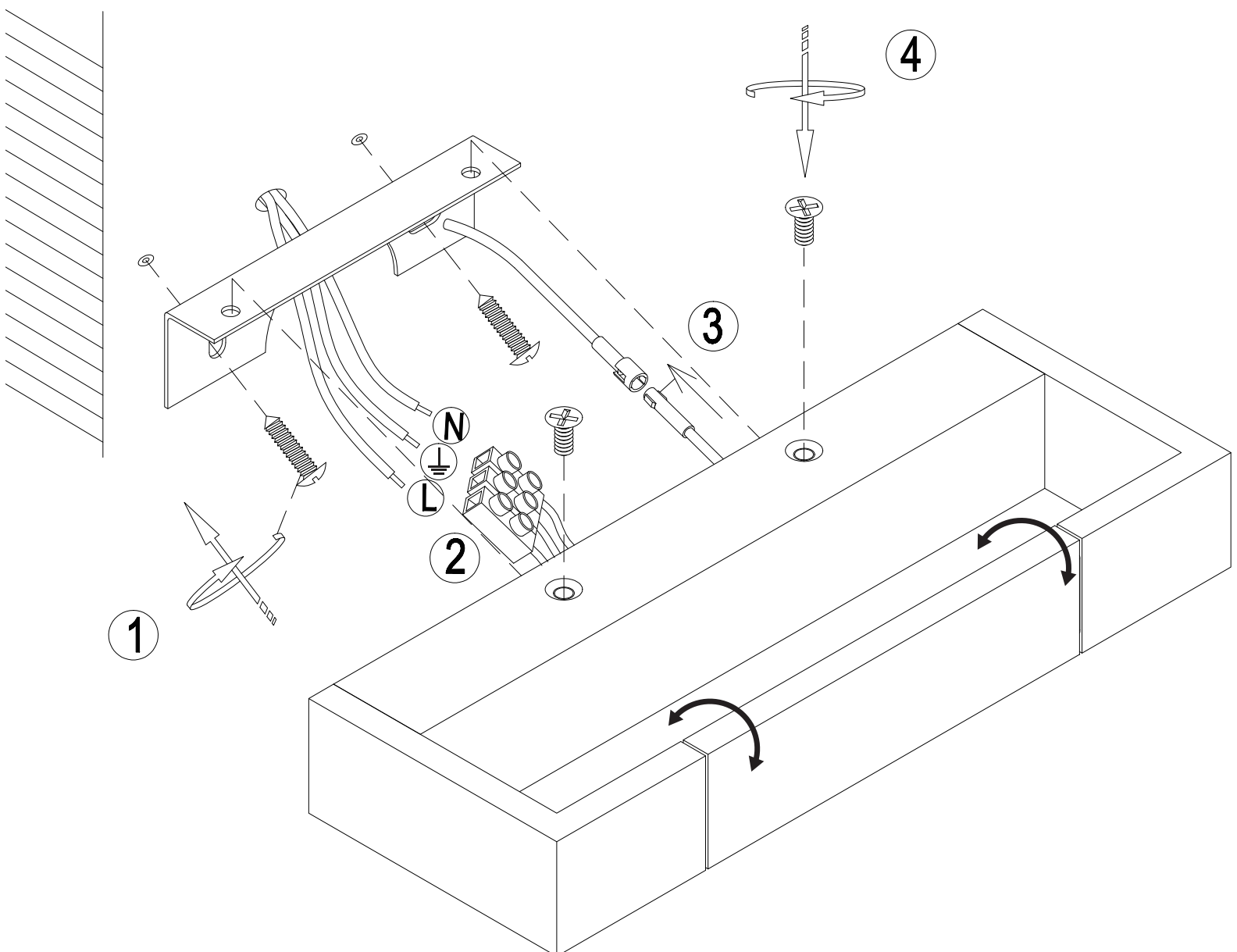
one  
LIGHT

230V | 12W | SMD 2835 | IP44 | Aluminium + acrylic



L70B50  
36000 Hrs

Complete with driver 600mA.



### Warnings:

1. Make sure that the product is installed properly before connecting to electricity.
2. Do not cover the fitting.
3. Maintenance and installation should only be carried out by a professional electrician.