

INSTALLATION MANUAL

10113A

ecodownlight



110mm

100-240V | 15W | IP20 | Aluminium

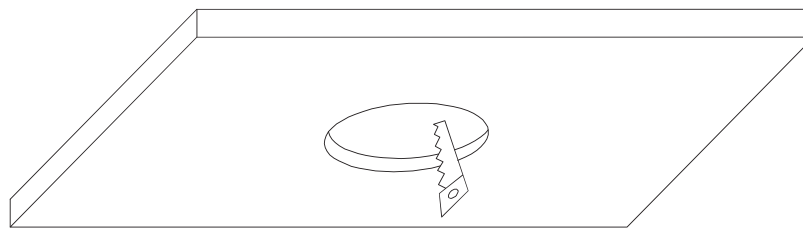
Complete with driver



114mm

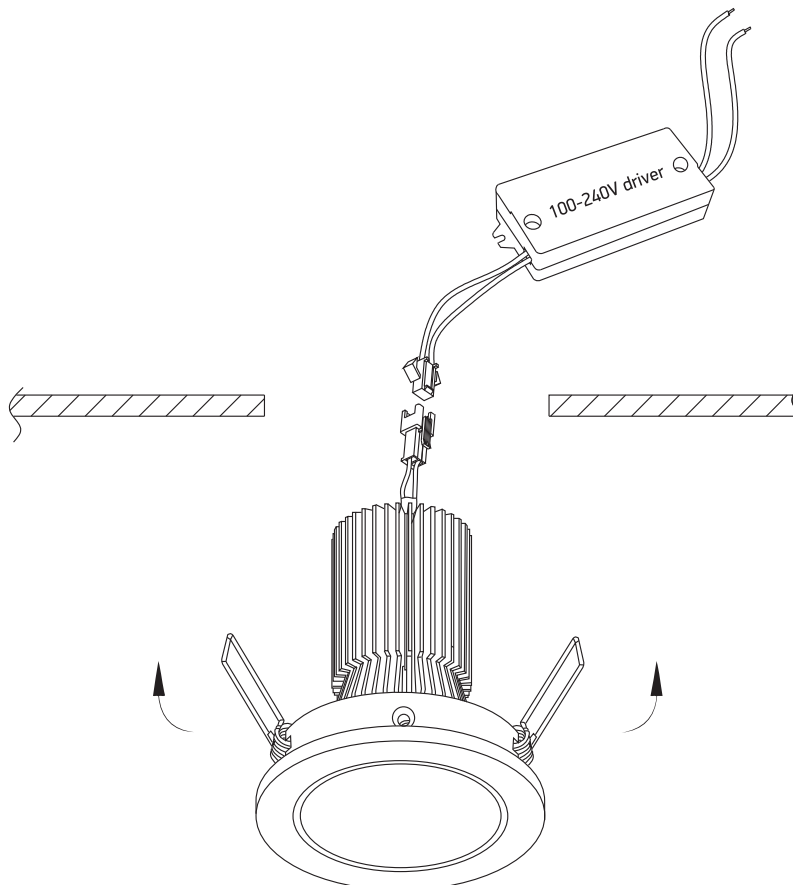
one
LIGHT

A



CUTOUT HOLE: 95mm

B



Warnings:

1. Make sure that the product is installed properly before connecting to electricity.
2. Do not cover the fitting.
3. Maintenance and installation should only be carried out by a professional electrician.